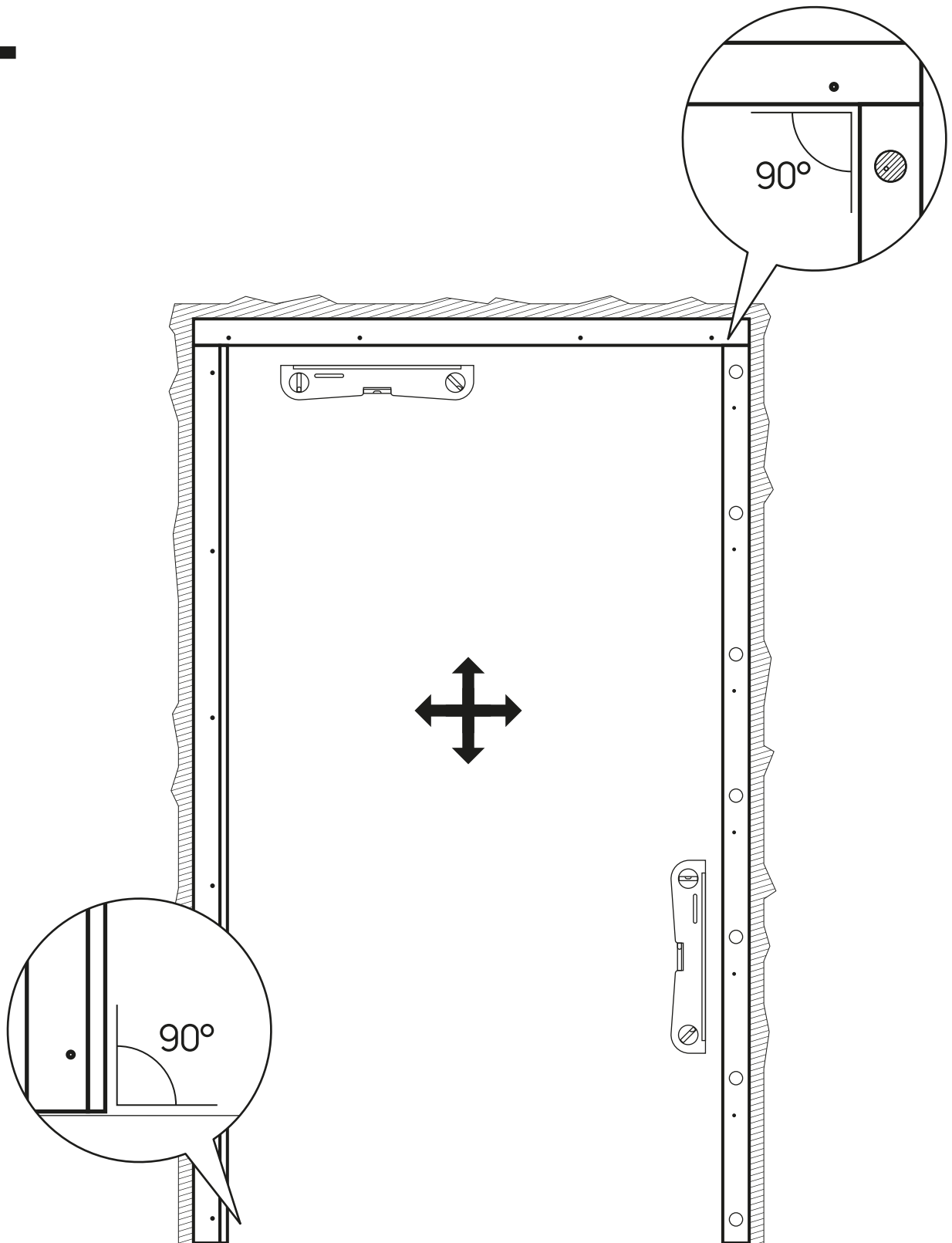
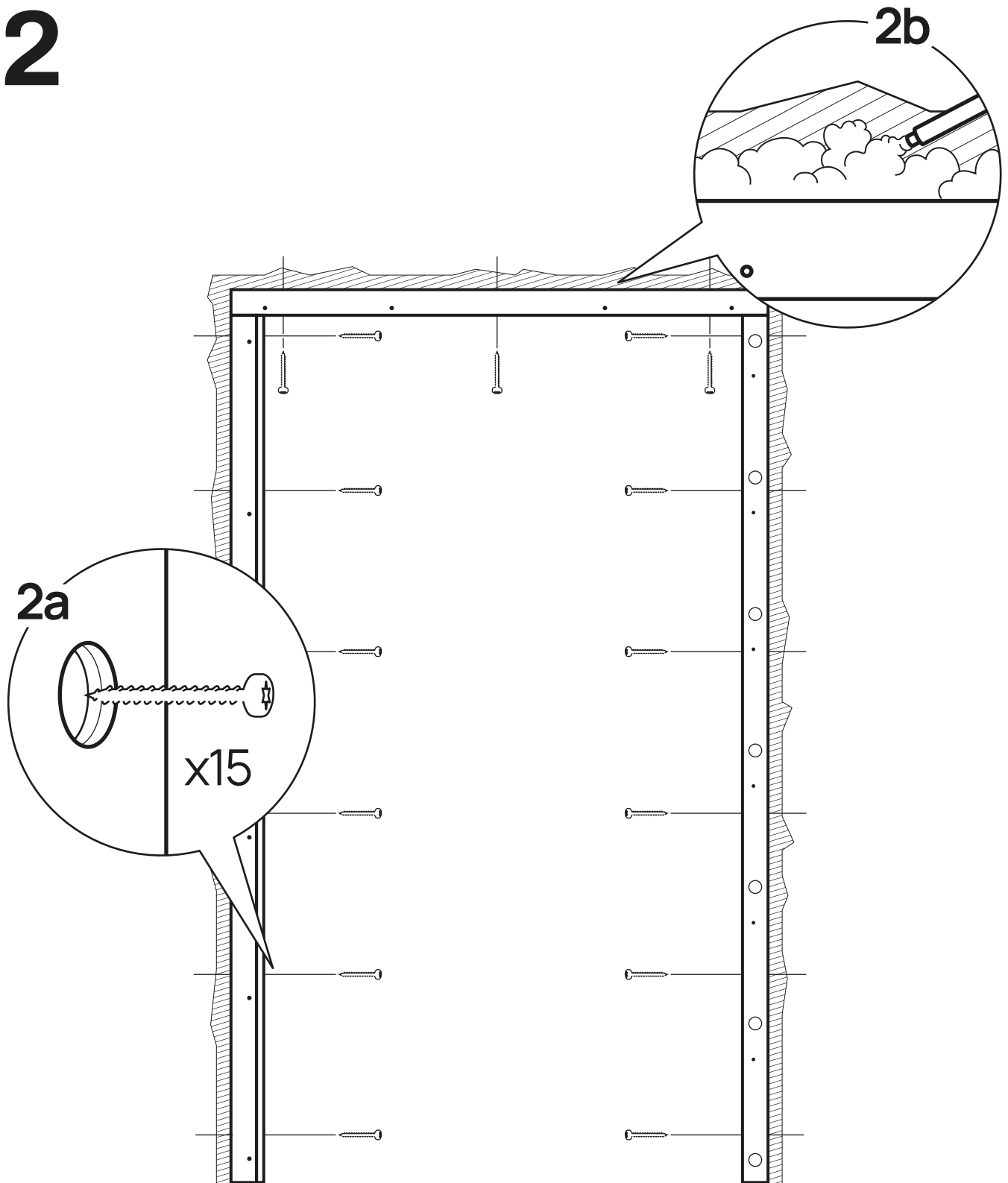


# 1



Support and level the frame.

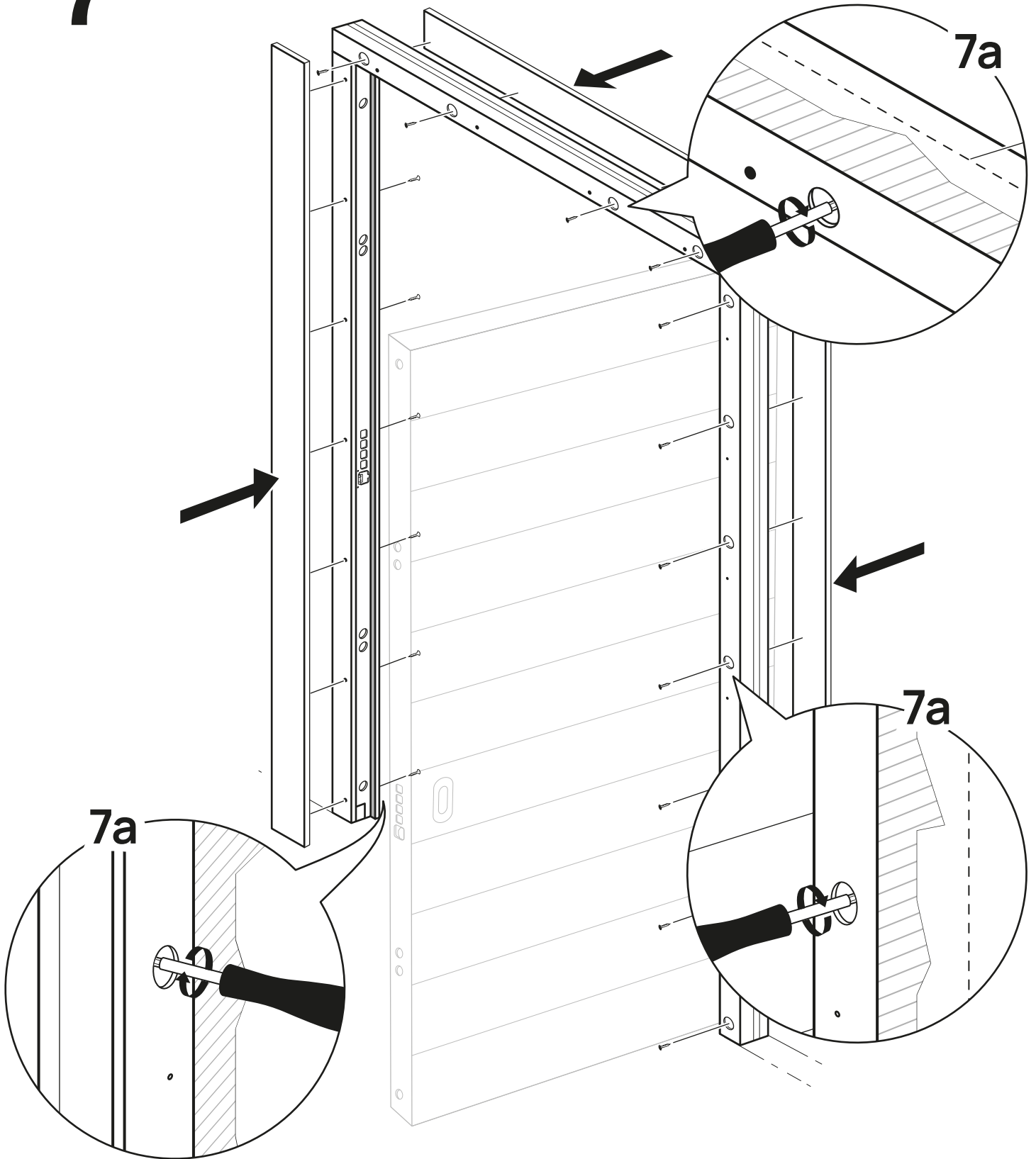
# 2



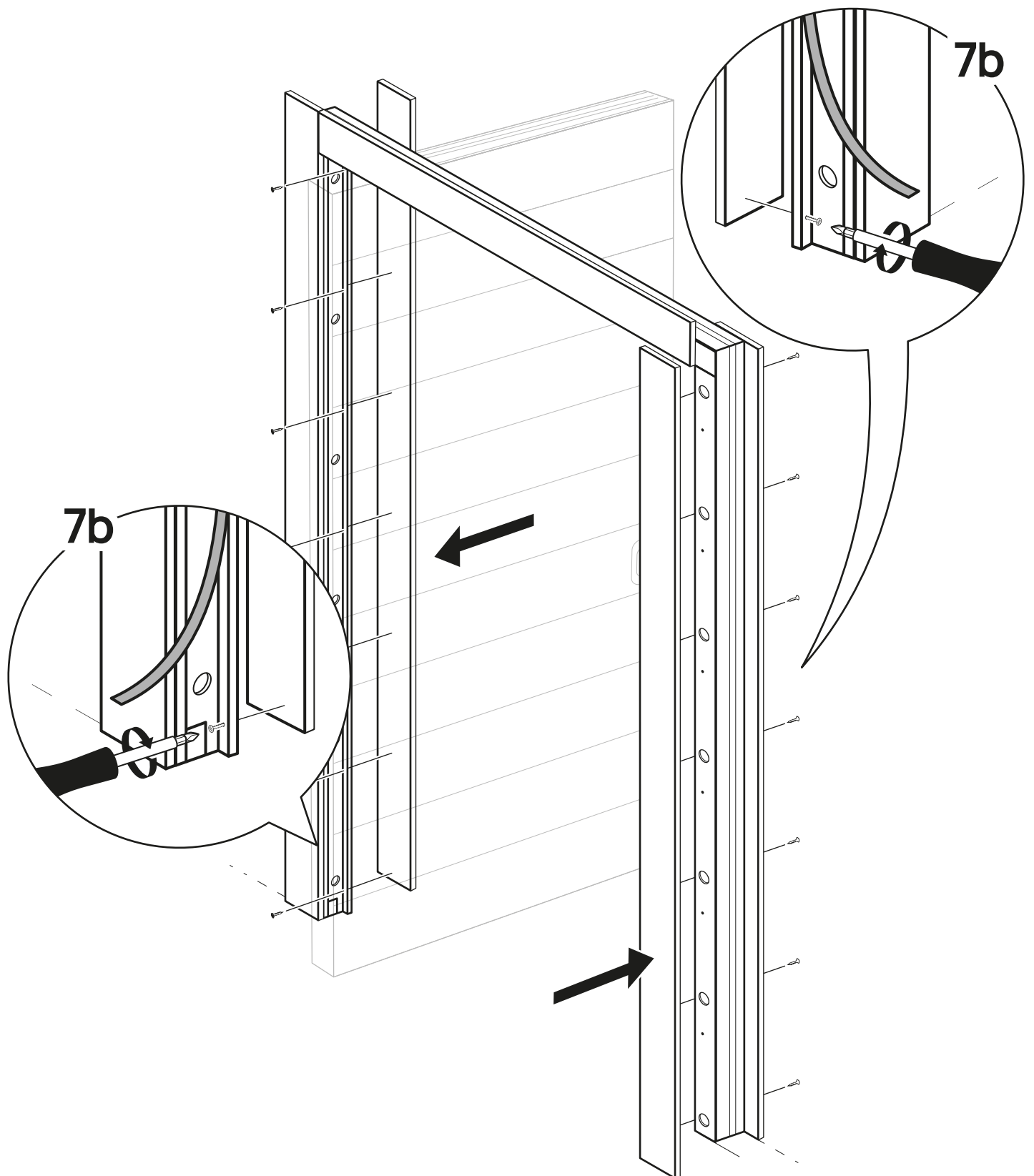
**2a.** Fix the frame to the wall using **Torx (Buldex) T30 cement screws** or similar.

**2b.** Complete the fixing of the frame by filling the gap with **polyurethane (PU) foam filler**. Allow to dry according to foam instructions.

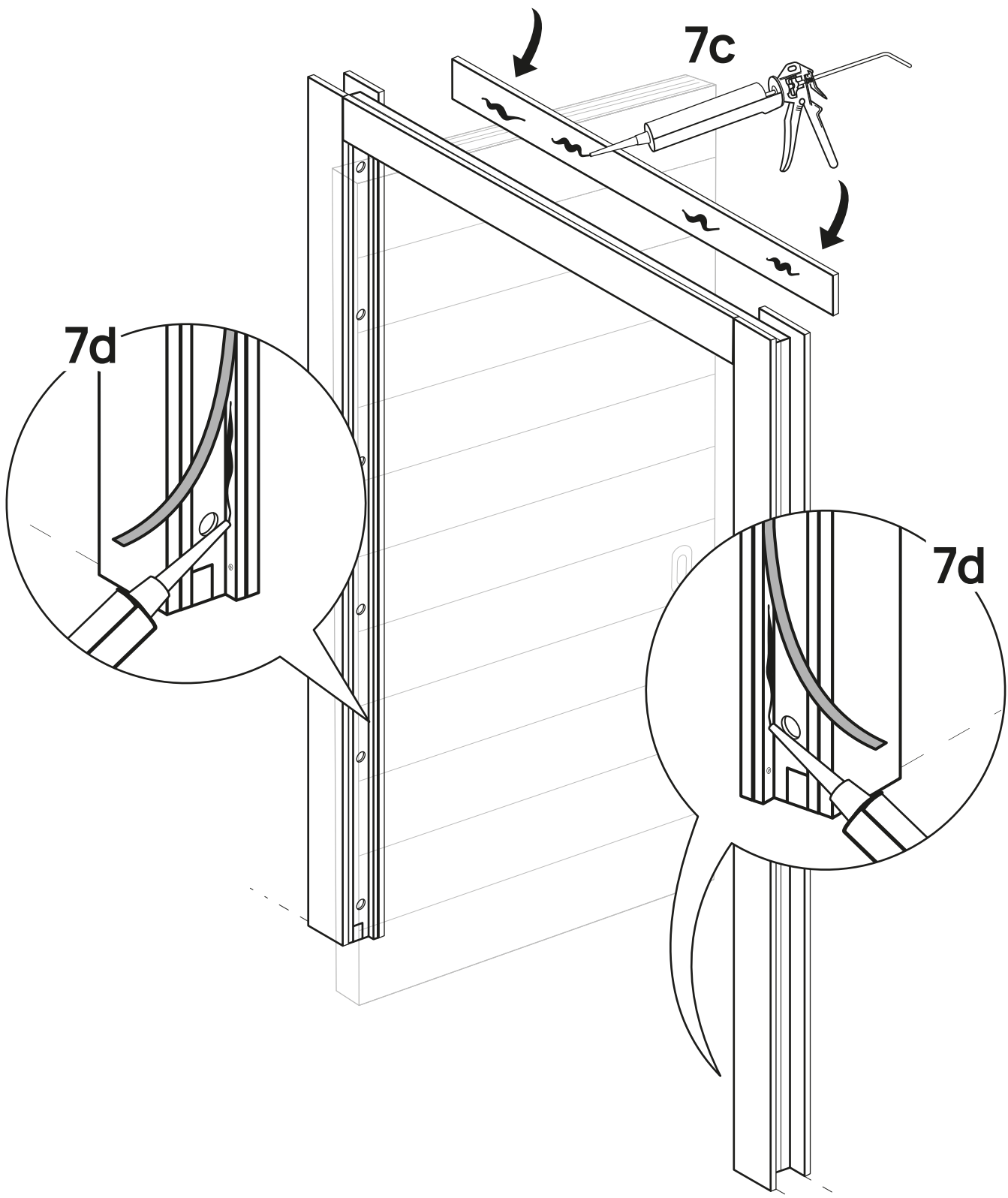
# 7



**7a.** Place the **3 architraves** which are opposite to the bigger holes of the frame and fix them with the use of **wood screws 4x12mm**.



**7b.** After removing the gaskets of the frame, fix the remaining 2 lengths of architraves using the existing holes behind the gaskets, with the use of wood screws 4x12mm.

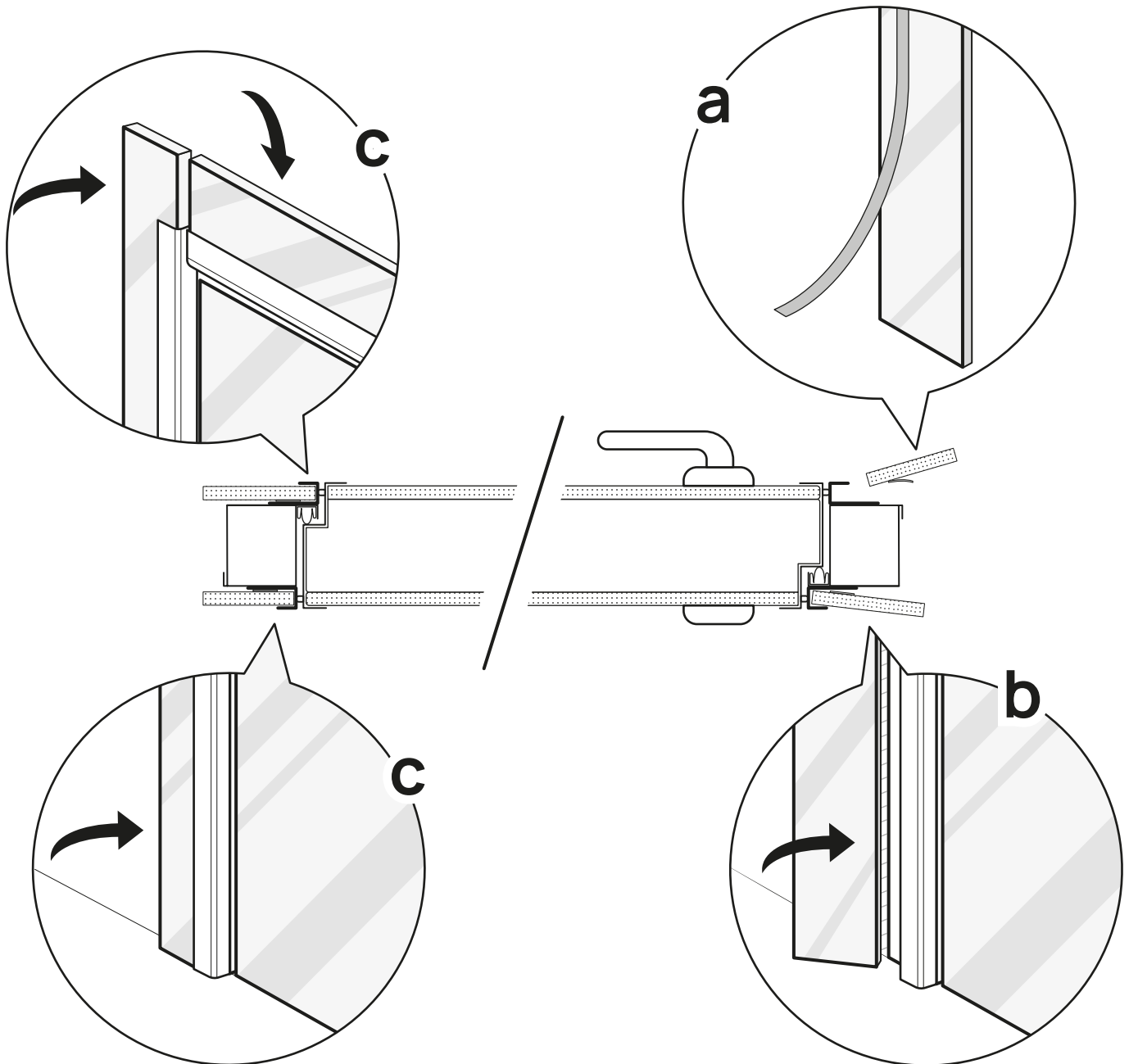


**7c.** Last, fix the interior header architrave using **polyurethane (PU) structural adhesive** and clamp it until the adhesive dries.

**7d.** Then put the respective gaskets back in place using **grout**.

Alternatively, **polyurethane (PU) structural adhesive** can be used to install the architraves.

## \*Instructions for fitting glass architraves



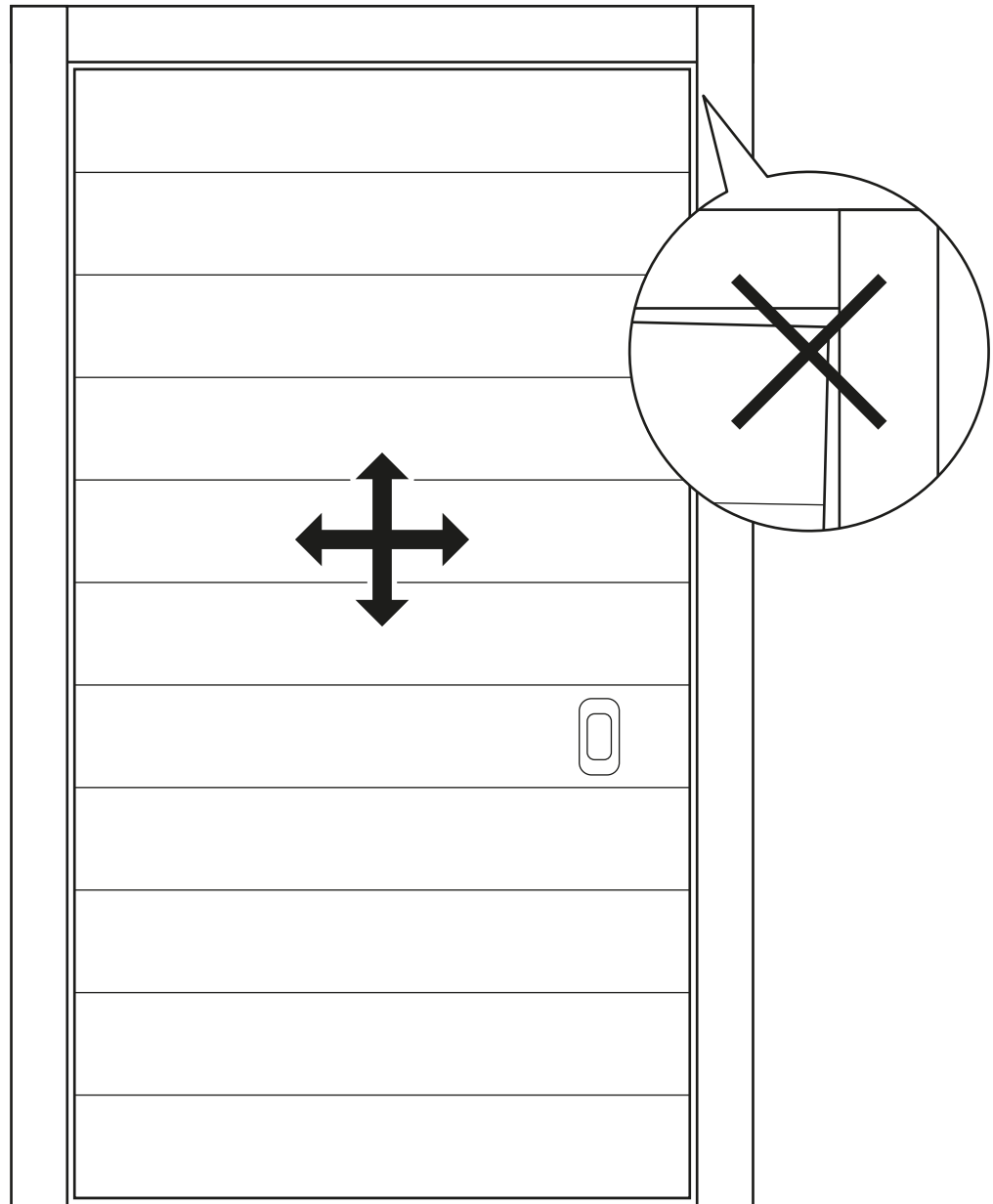
When the architraves are glass, there are already slots (U35) applied on the frame.

**a.** Stick 2-sided 3M or similar 3M adhesive tape (not included) to the glass architraves on the side adjacent to the wall and where it is well against the slots (U35).

**b.** Slide the architraves at a slight angle into the slots (U35) and carefully press to adhere the double-sided tape securely.

**c.** Follow the same procedure for the vertical and horizontal architraves.

# 8



Close the door and **check the perimeter gap** to ensure that the door is not standing sideways to the frame. Adjust further if necessary by turning **screw No. 2** for horizontal adjustment (clockwise towards the lock and counterclockwise against the lock) respectively on the top and bottom hinges.



**Attention!** When you have completed the adjustments, place the screws No. 3 in the locked position by turning them clockwise.

# Hinge Adjustments KAPPA 3

## 1. Remove Cap



Unscrew the two Allen screws (2.5mm) to remove the hinge protection cover.

## 2. Adjust

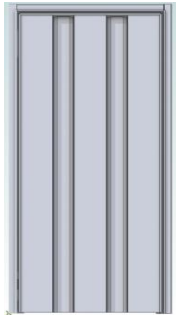
### a. Raising and lowering the door





Hexagonal screw 13mm

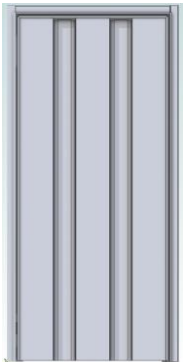
- Raising 
- Lowering 

★ NOTE! Before adjusting loosen up the allen screw located where the blue star Shows in the picture. After adjusting screw again



### b. Moving left and right the door

1. Loosen up screws number 1 & 2. (Allen 6mm)
2. Adjust
  - Screw clockwise to move towards the lock 
  - Screw counterclockwise to move towards the hinges 
3. Tighten up screws 1 & 2



## 1. Put the cap back in place



[www.insensation.com](http://www.insensation.com)