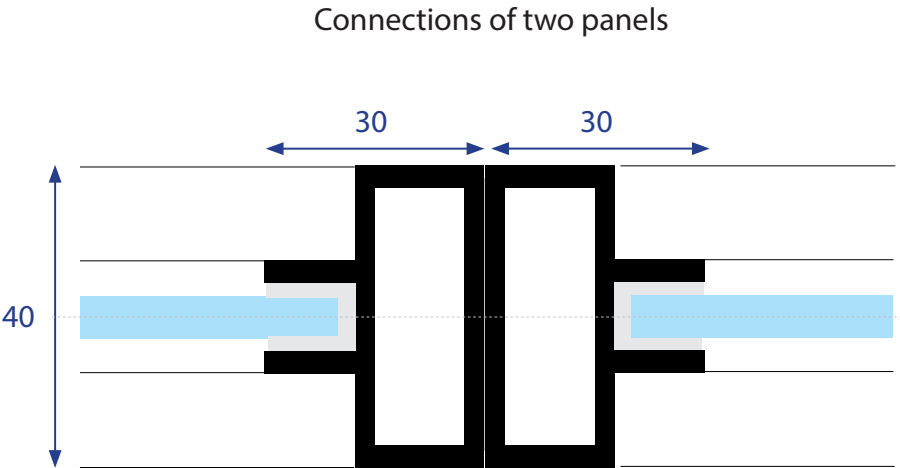
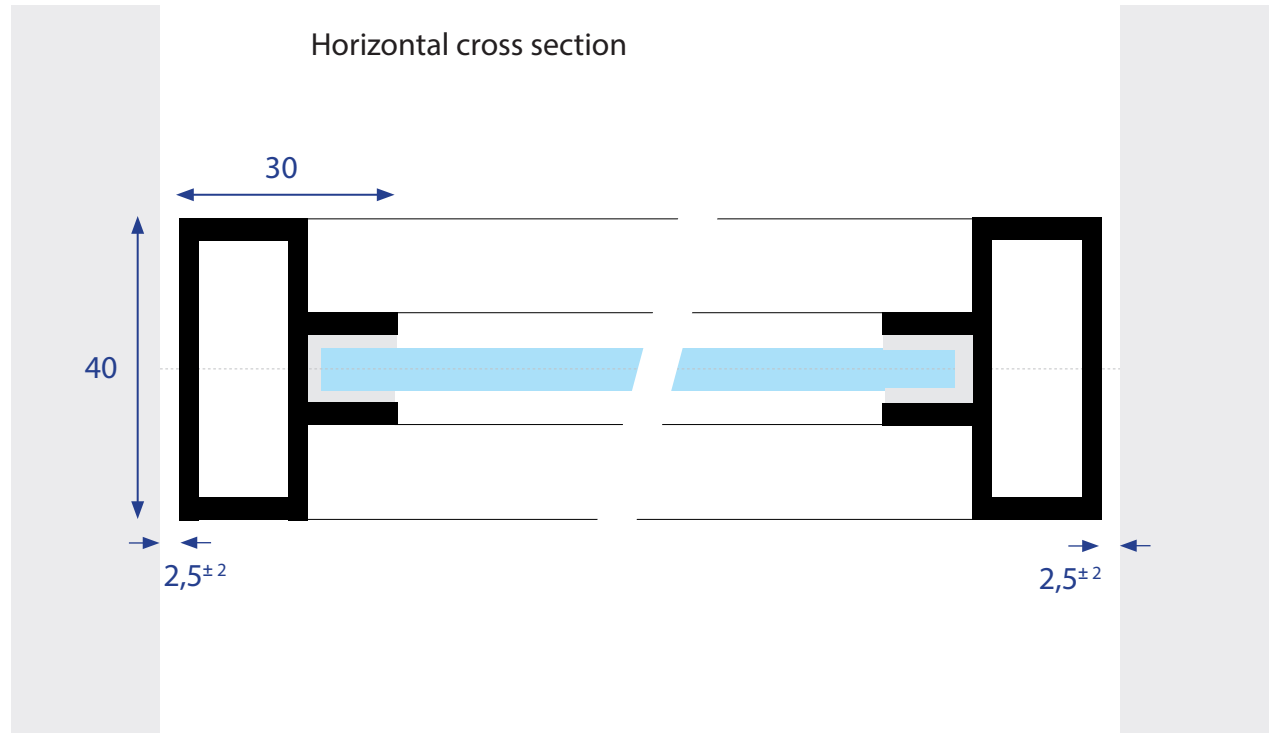
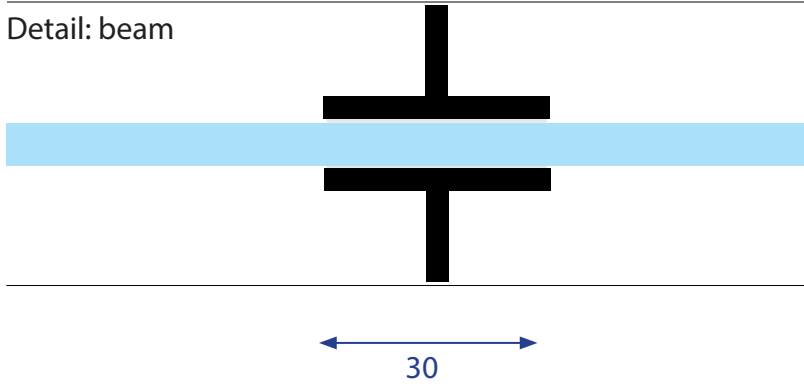
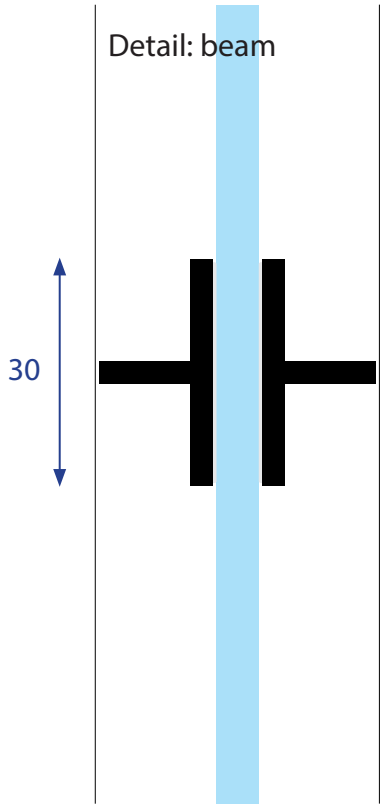
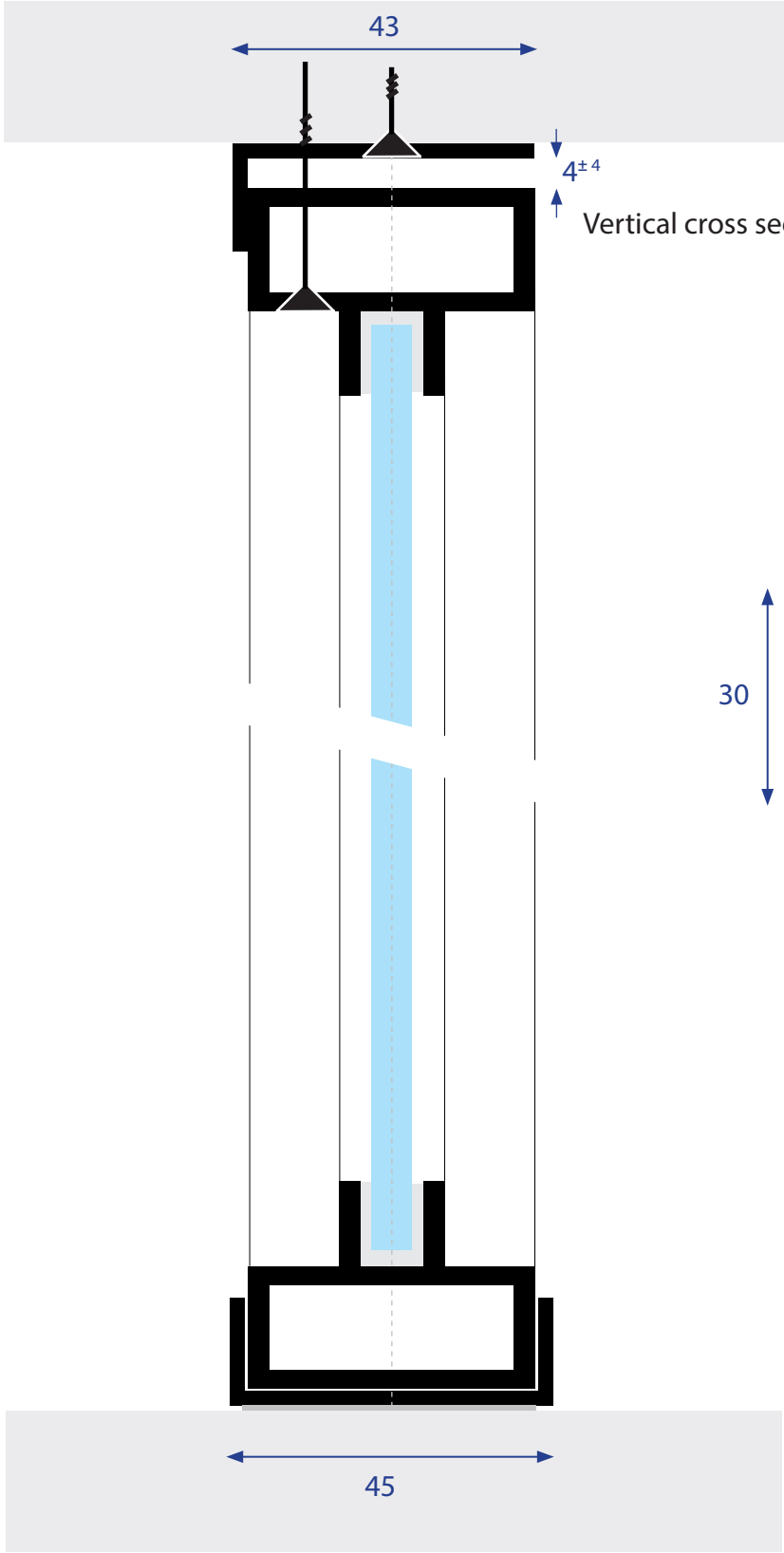


# Fixed panel

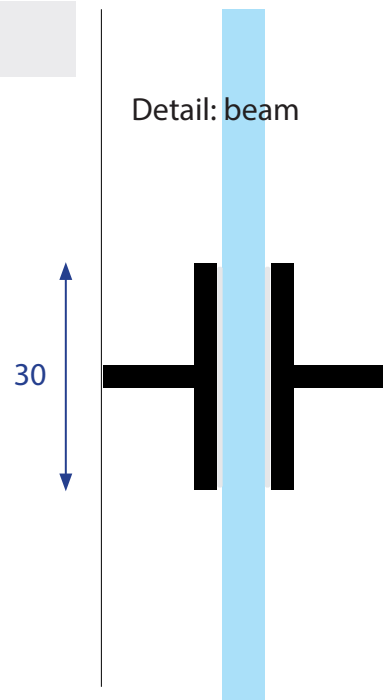
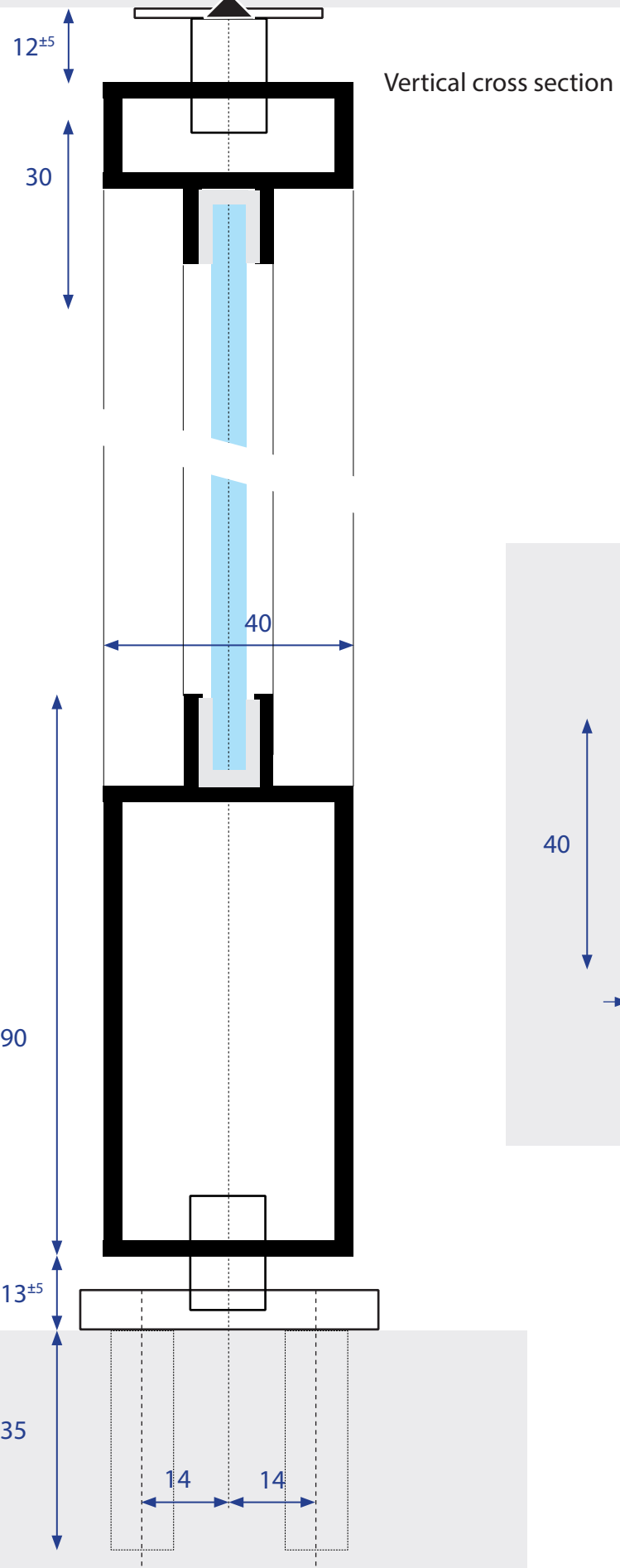


If the wall is skewed, the gap may increase with the number of mms that the wall is skewed.

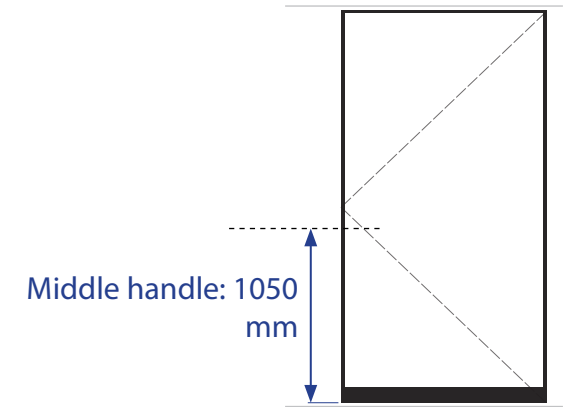
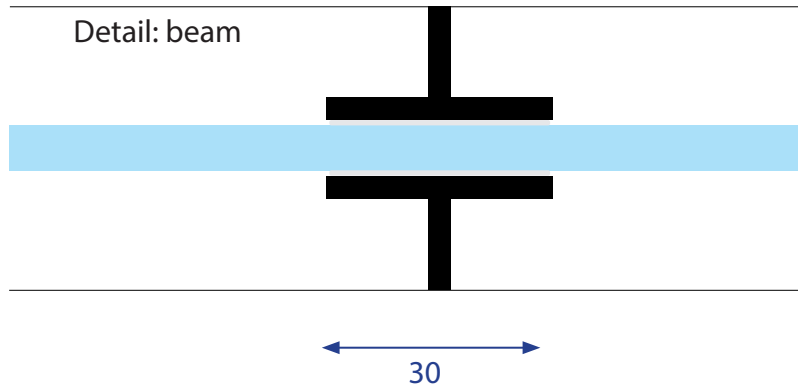
Apply jointing tape and sealant when mounting

Always read the assembly instructions first: available on simple request

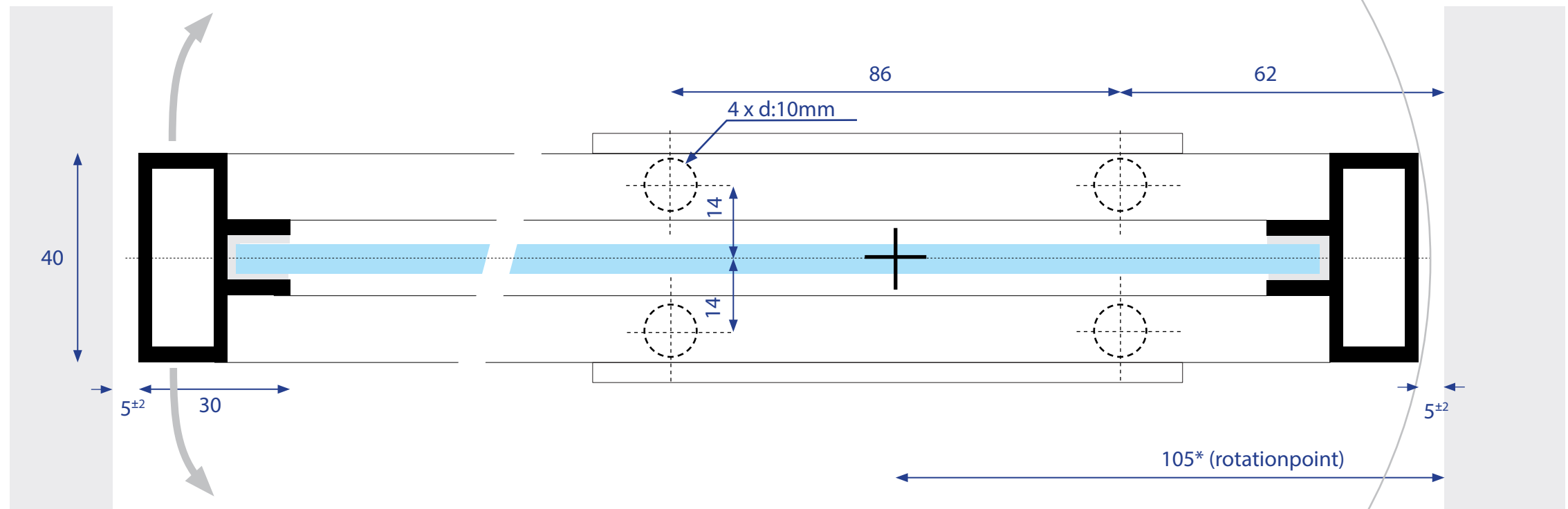




# Pivot door



Horizontal cross section

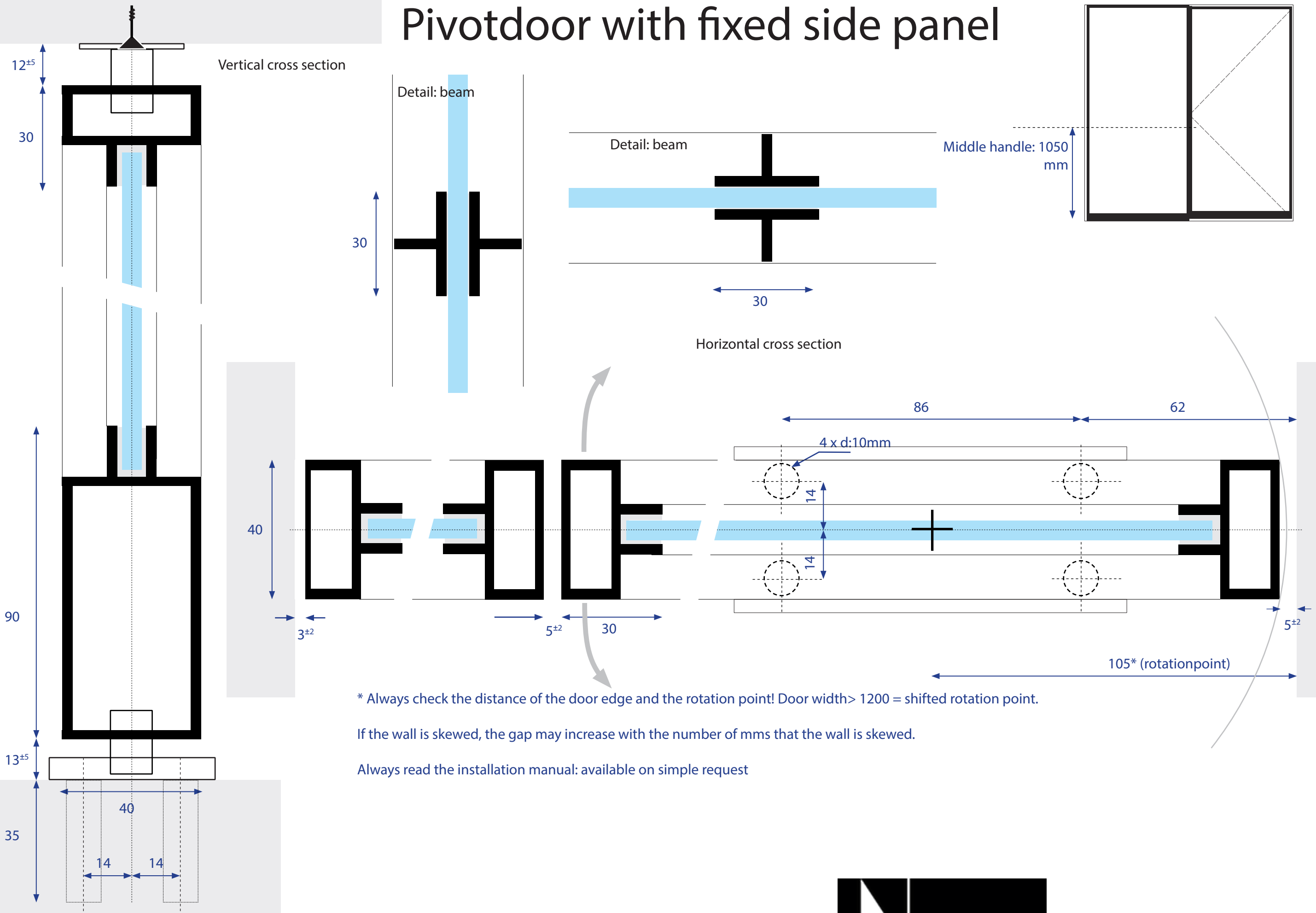


\* Always check the distance of the door edge and the rotation point! Door width > 1200 = shifted rotation point.

If the wall is skewed, the gap may increase with the number of mms that the wall is skewed.

Always read the installation manual: available on simple request

# Pivotdoor with fixed side panel

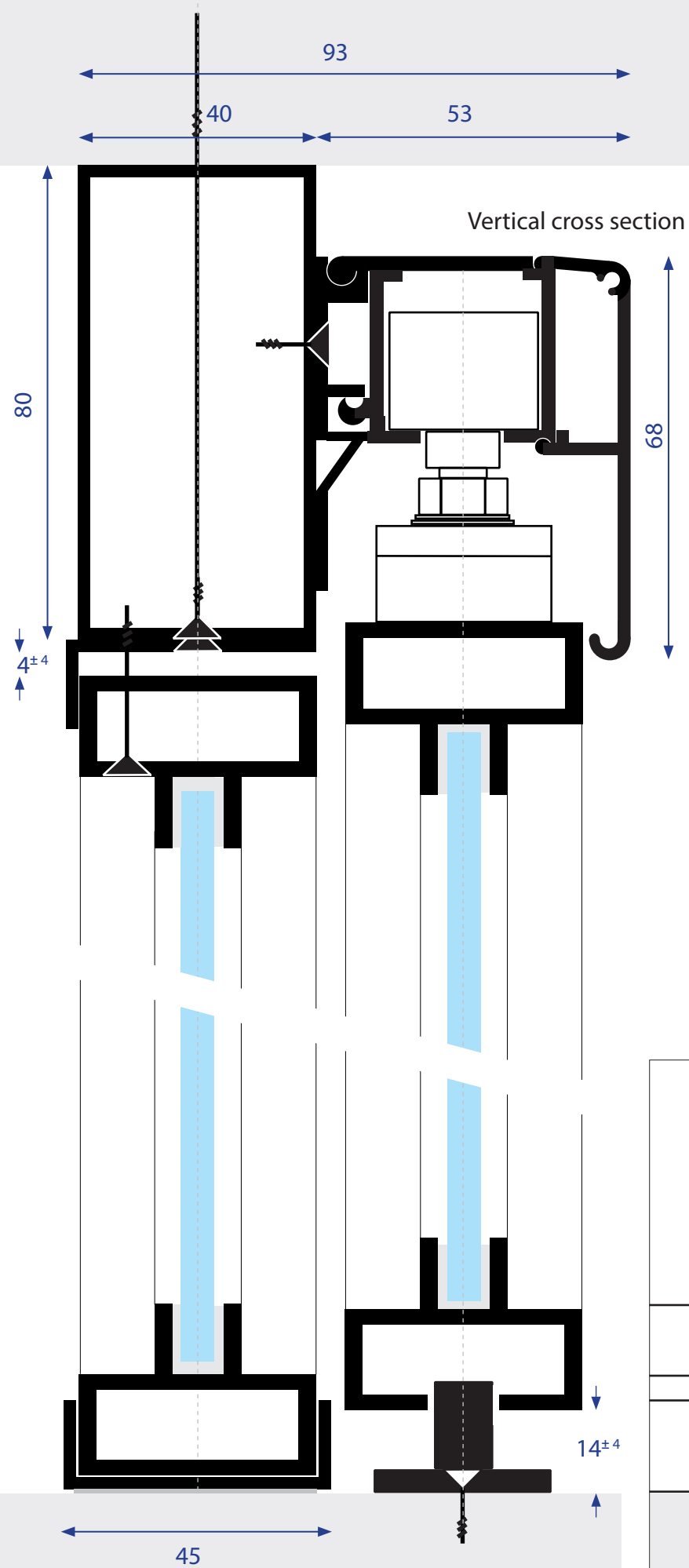


\* Always check the distance of the door edge and the rotation point! Door width > 1200 = shifted rotation point.

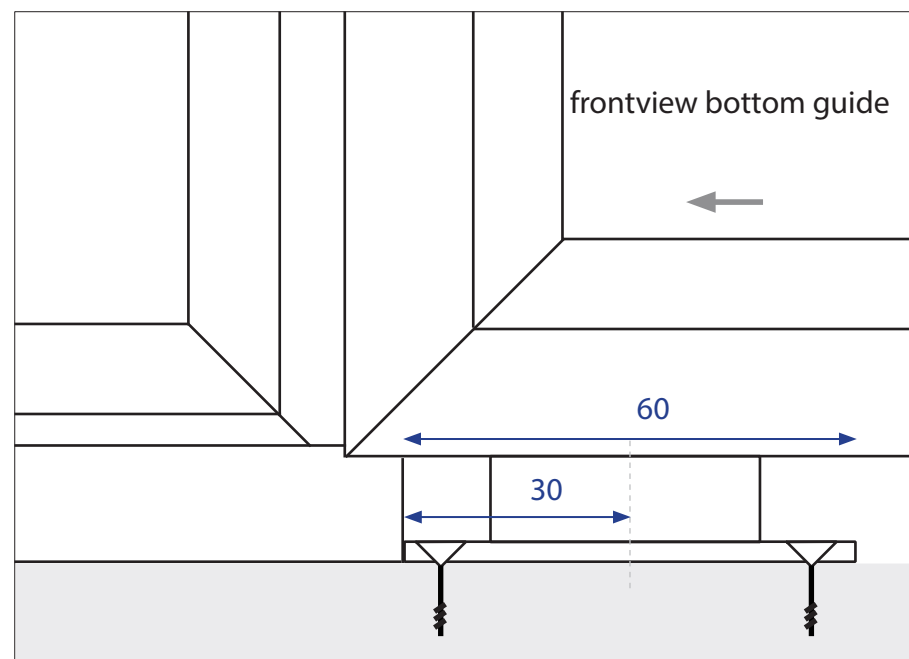
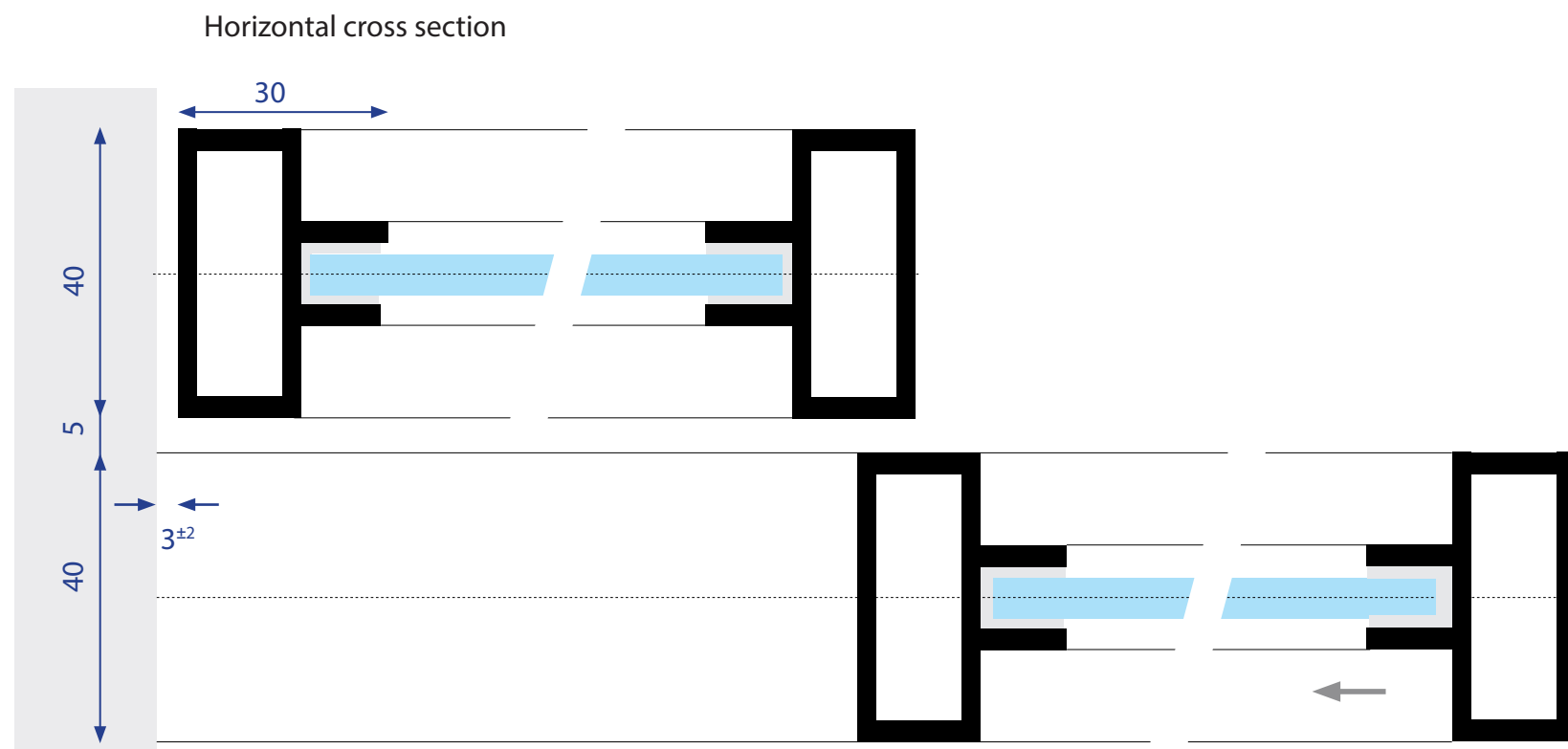
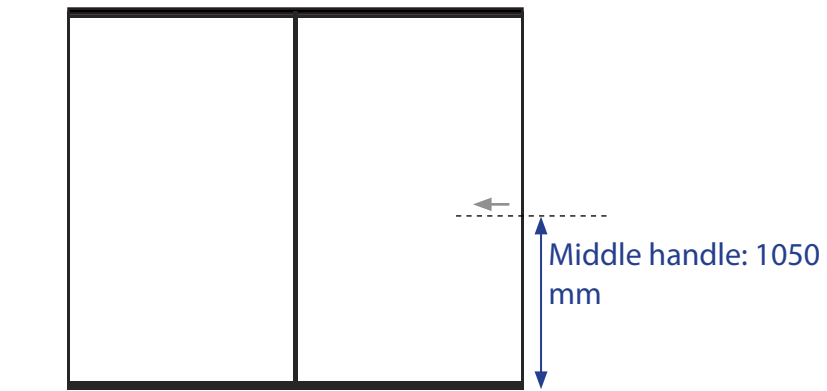
If the wall is skewed, the gap may increase with the number of mms that the wall is skewed.

Always read the installation manual: available on simple request

# Slider with fixed side panel



www.insensation.com



inc@insensation.com

If the wall is skewed, the gap may increase with the number of mms that the wall is skewed.

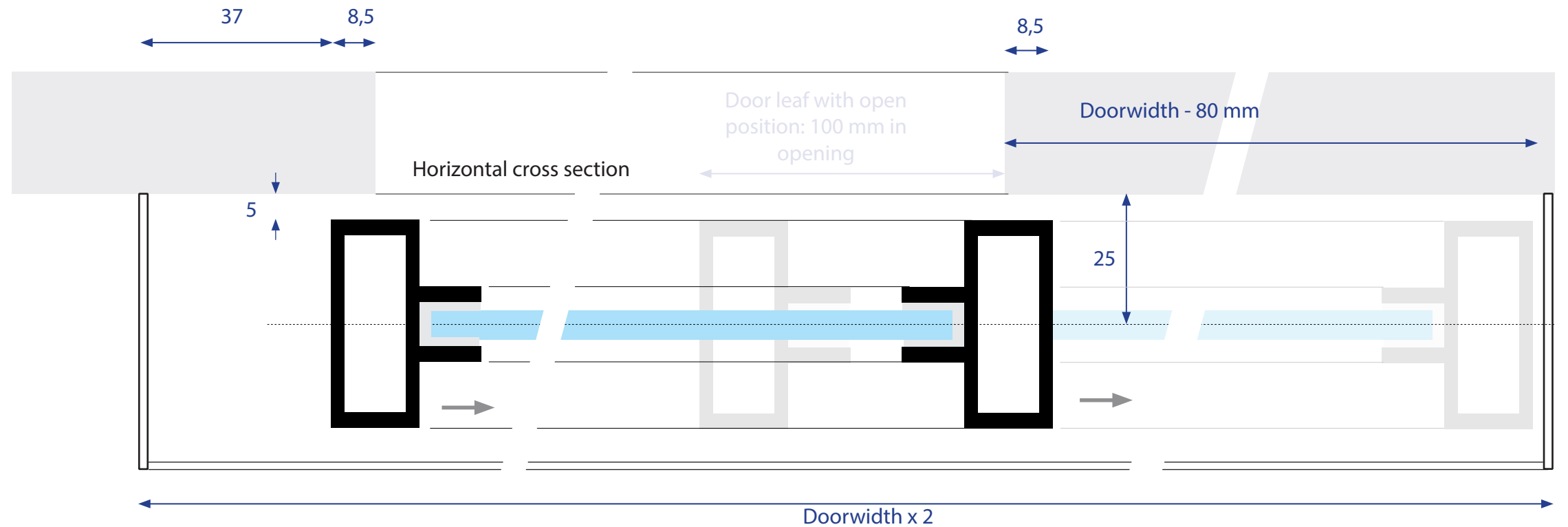
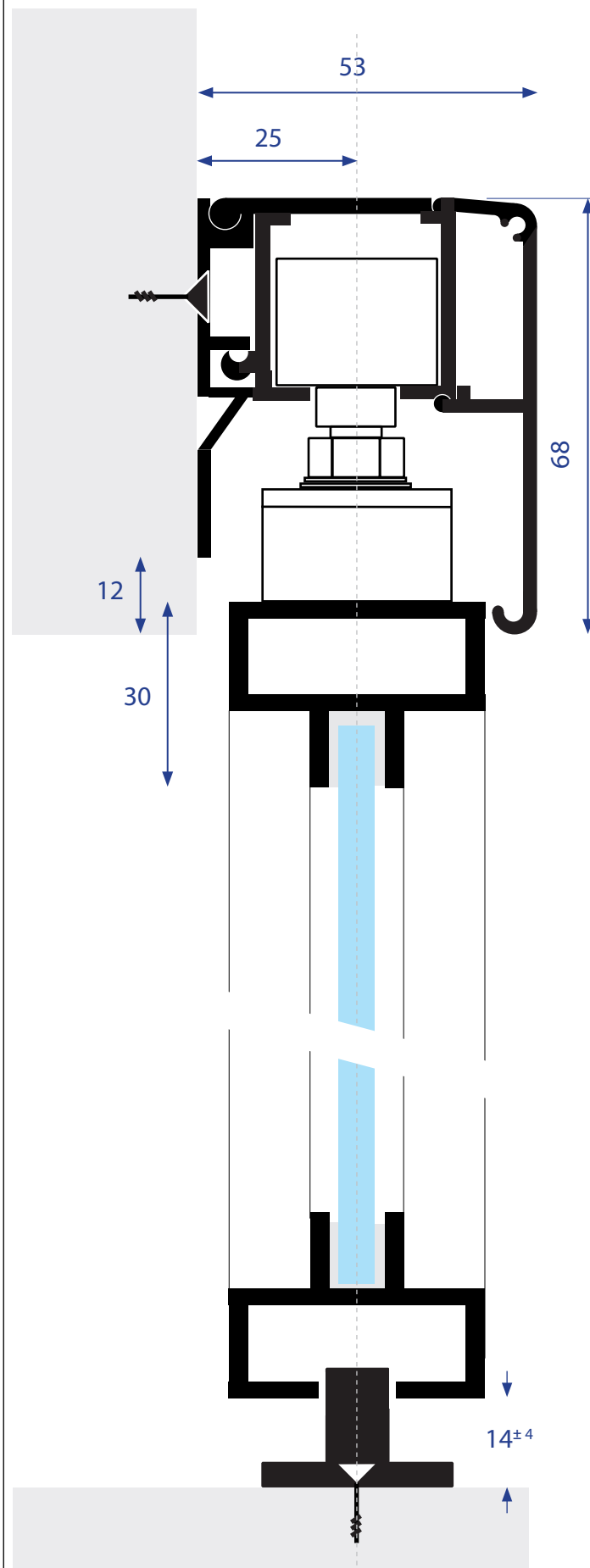
Always read the installation manual: available on simple request

Always indicate whether finishing caps are required and indicate their length, and whether end plates are required to finish the rail end (s).

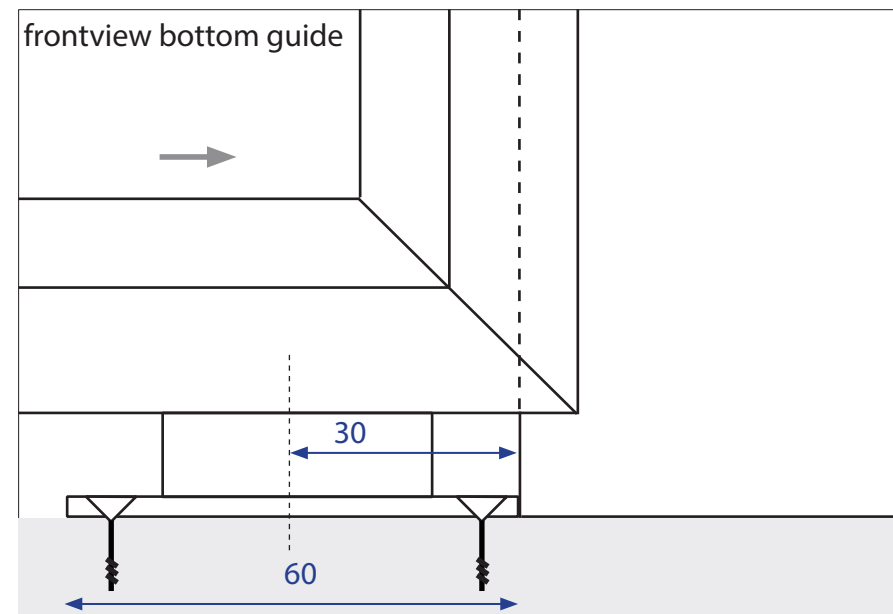
Apply jointing tape and sealant to the assembly finish if necessary



# Single slider wall mounted



middle handle: 1050 mm

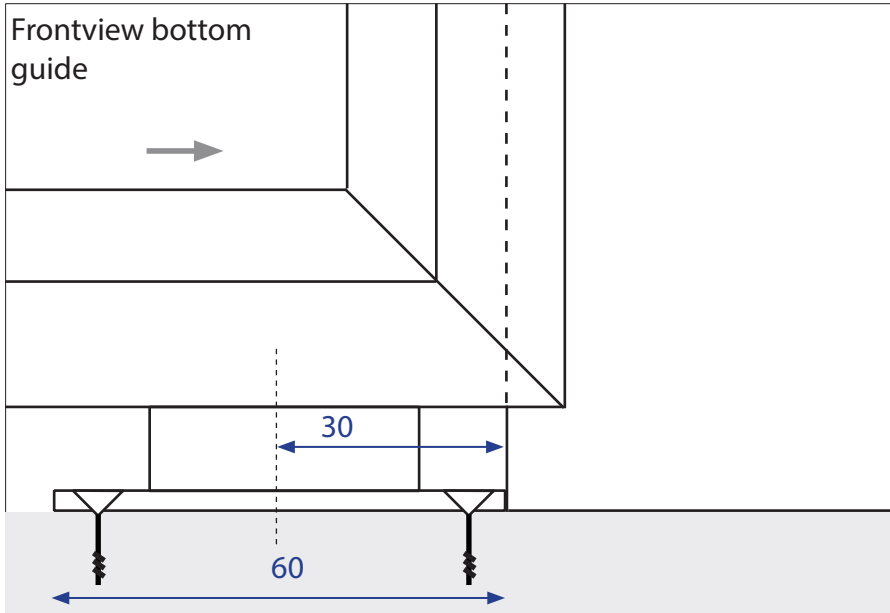
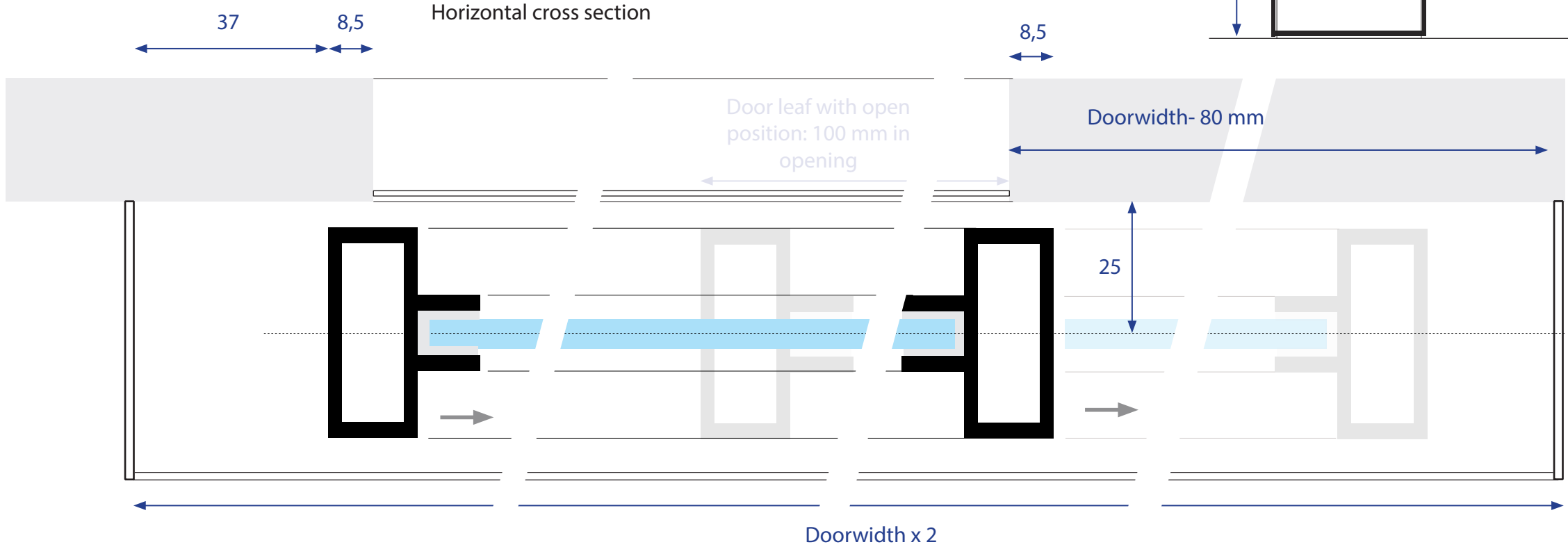
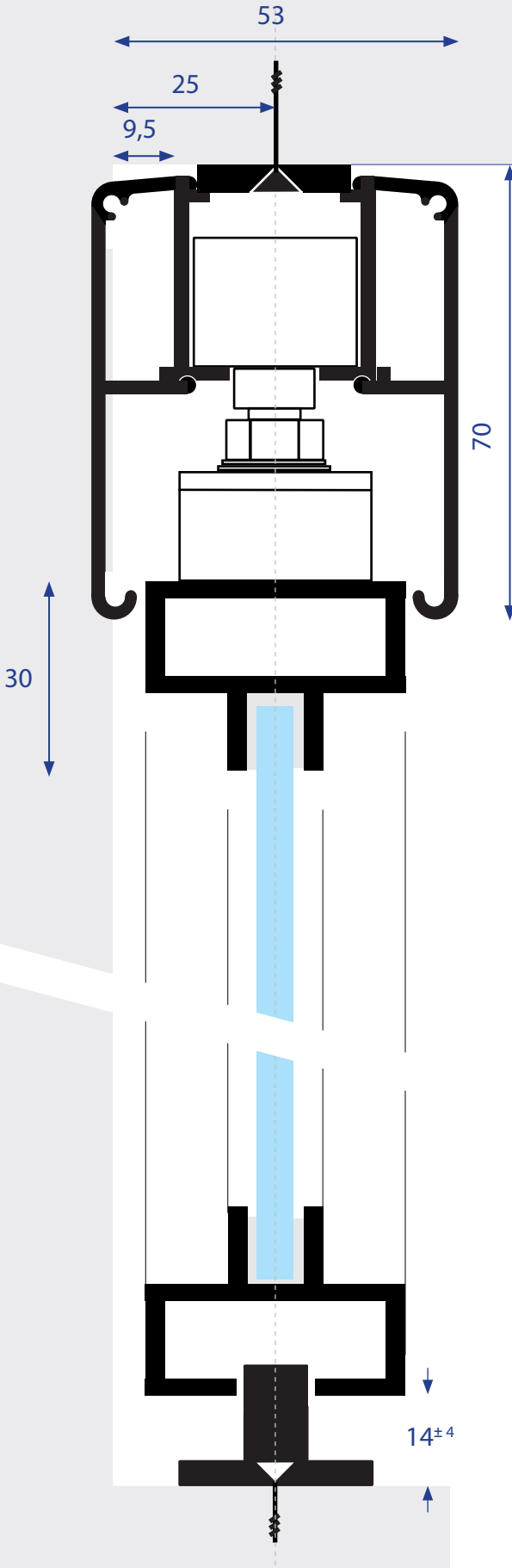


If the wall is skewed, the gap may increase with the number of mms that the wall is skewed.

Always indicate whether finishing caps are required and indicate their length, and whether end plates are required to finish the rail end (s).

Always read the installation manual: available on simple request

# Singel slider ceiling mounted



If the wall is skewed, the gap may increase with the number of mms that the wall is skewed.

Always indicate whether finishing caps are required and indicate their length, and whether end plates are required to finish the rail end (s).

Always read the installation manual: available on simple request