

PIVOT installation types

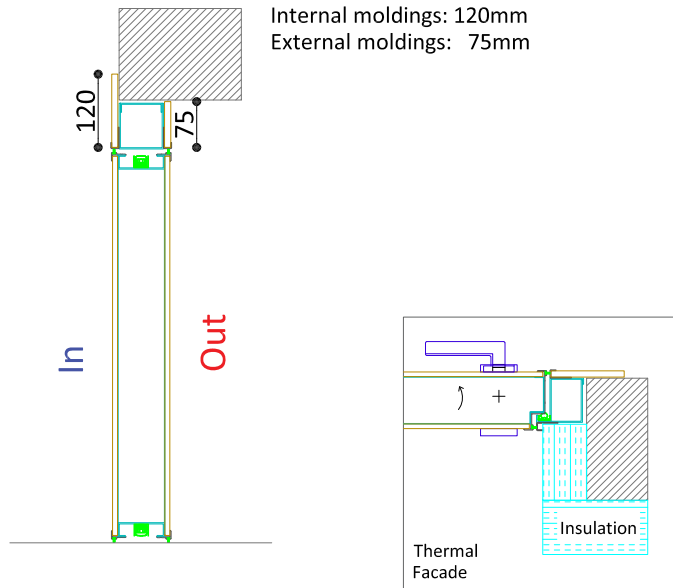
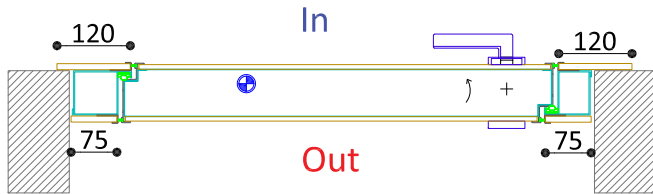


Note 1: Installation types affect the construction of the door frame and moldings, and should be decided when placing the order.

Note 2: The order is placed using the frame dimensions **A & a** as they are showed in the PIVOT DOOR Specs document, without taking consideration of the moldings.

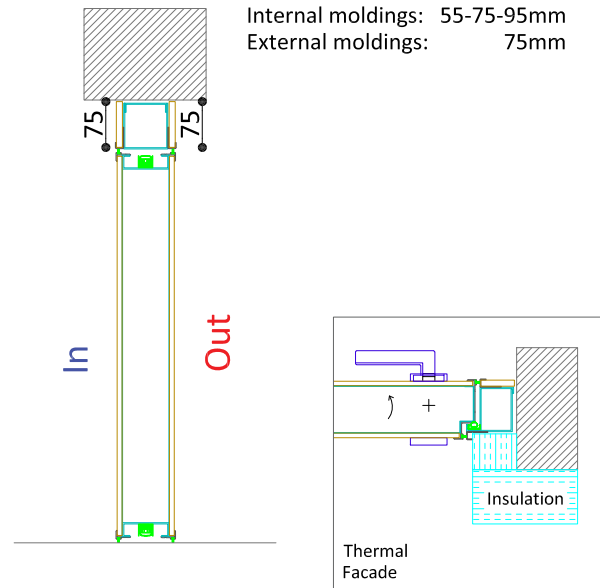
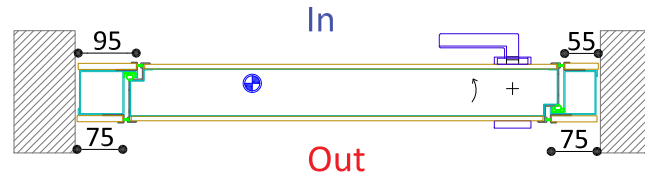
PIVOT INSIDE

Installation in the inside part of the wall opening.



PIVOT MIDDLE

Tunnel installation



PIVOT OUTSIDE

Installation in the outside part of the wall opening.

Note 3: Wood panels should be avoided

