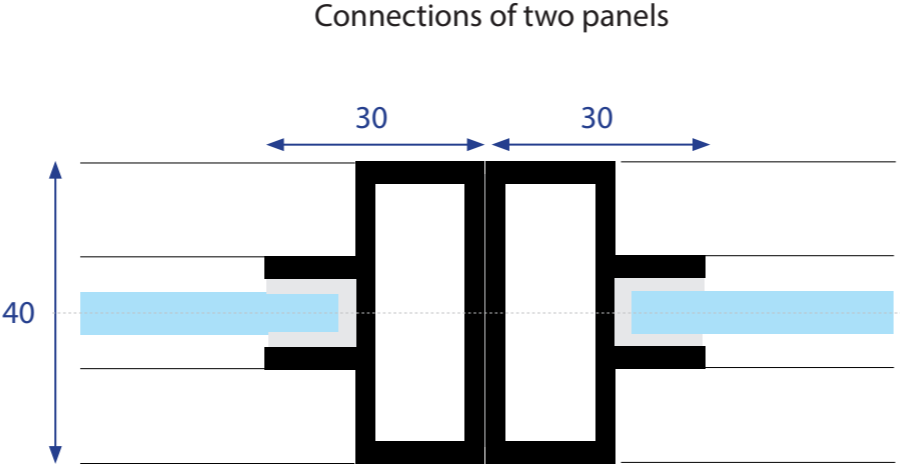
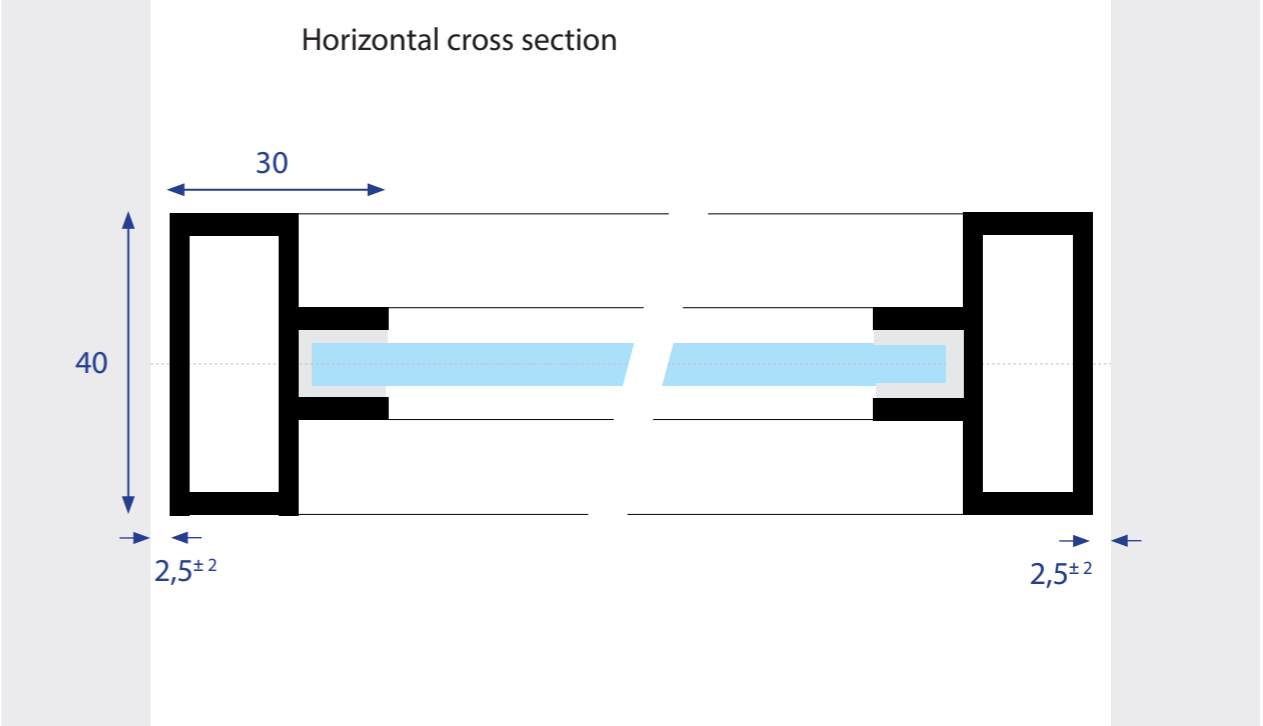
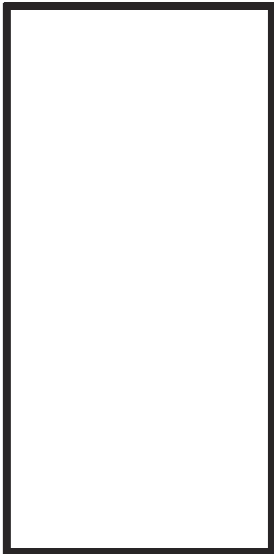
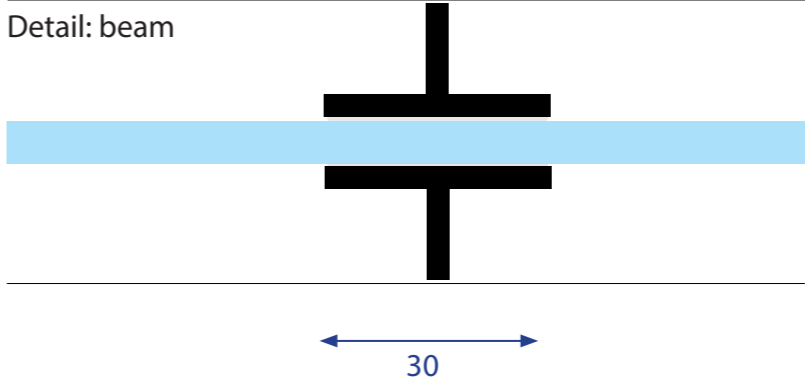
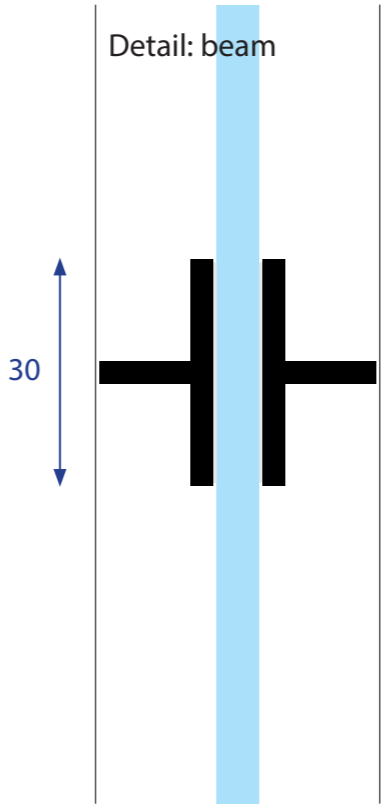
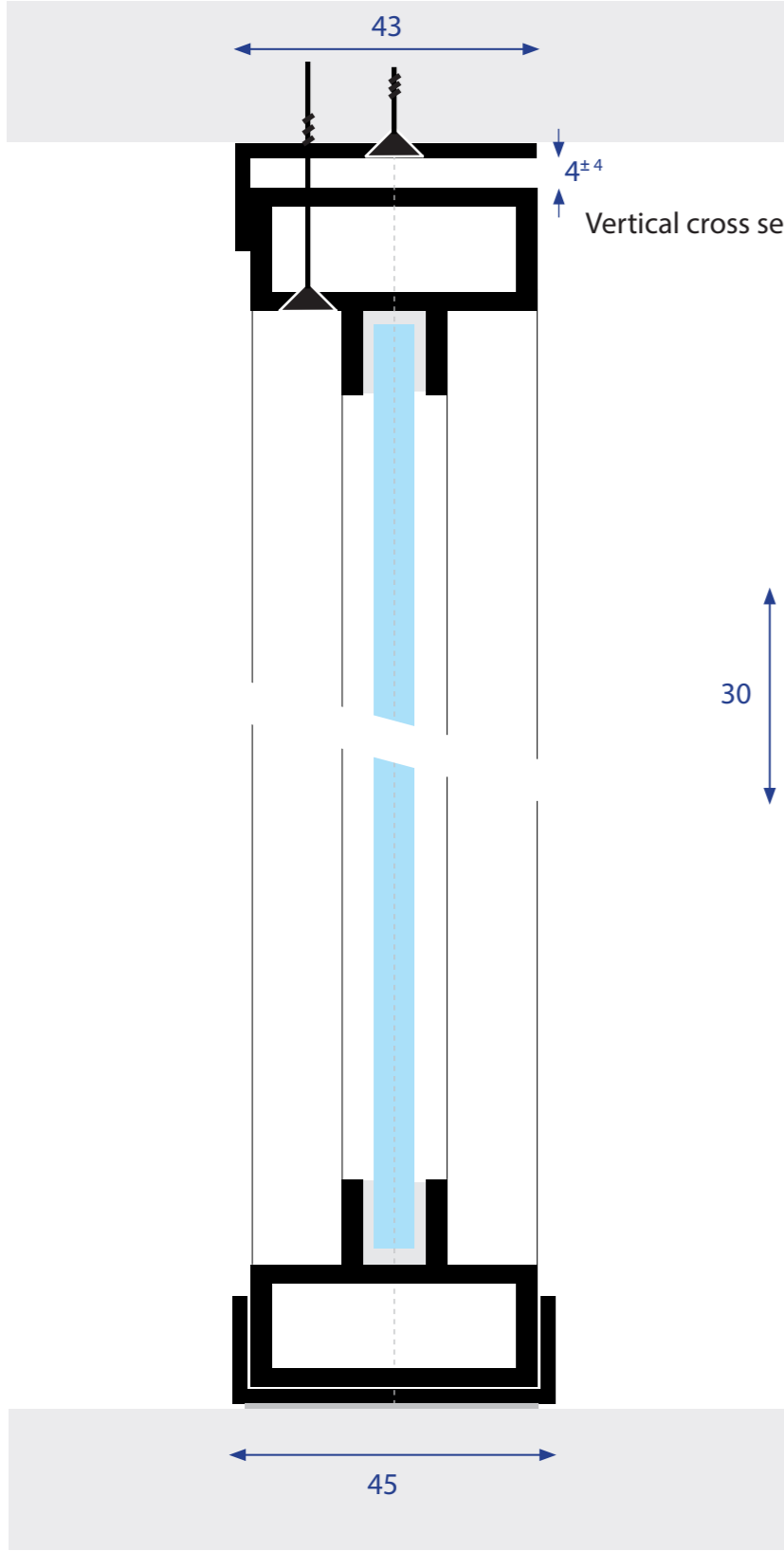


Fixed panel



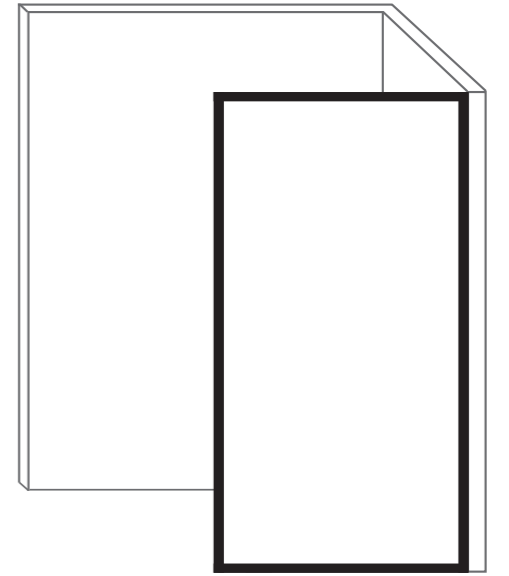
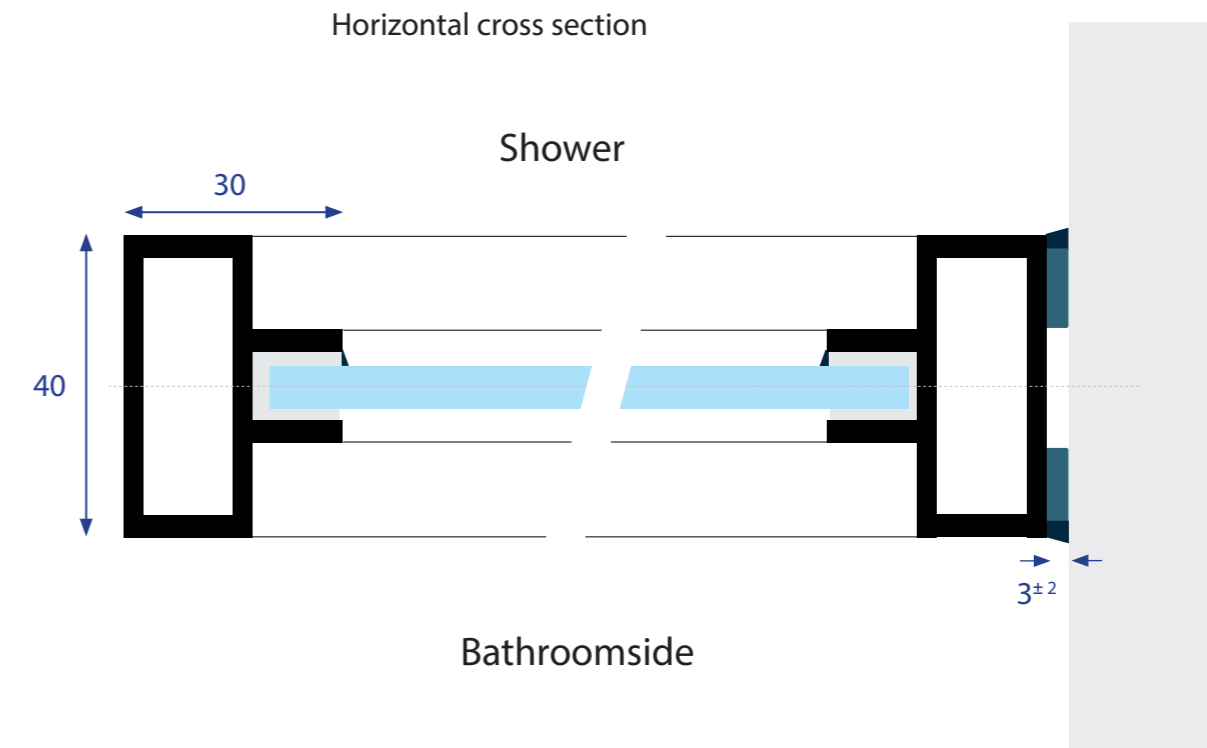
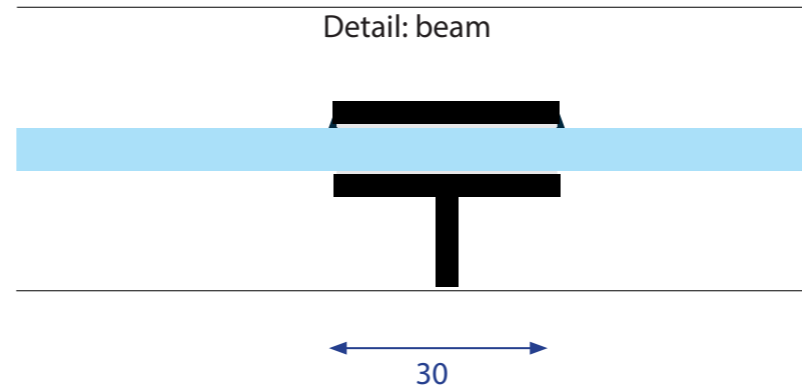
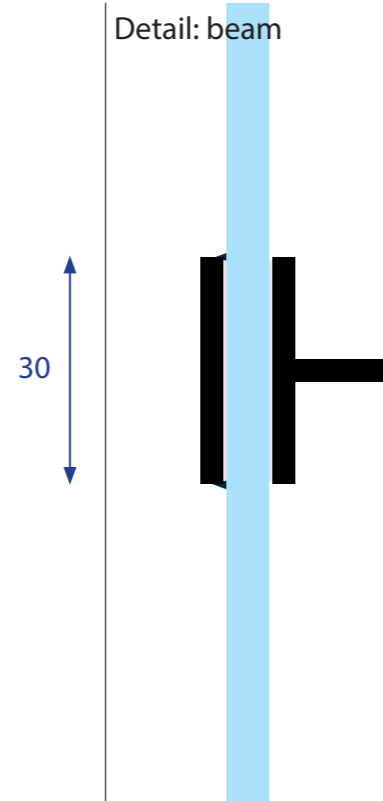
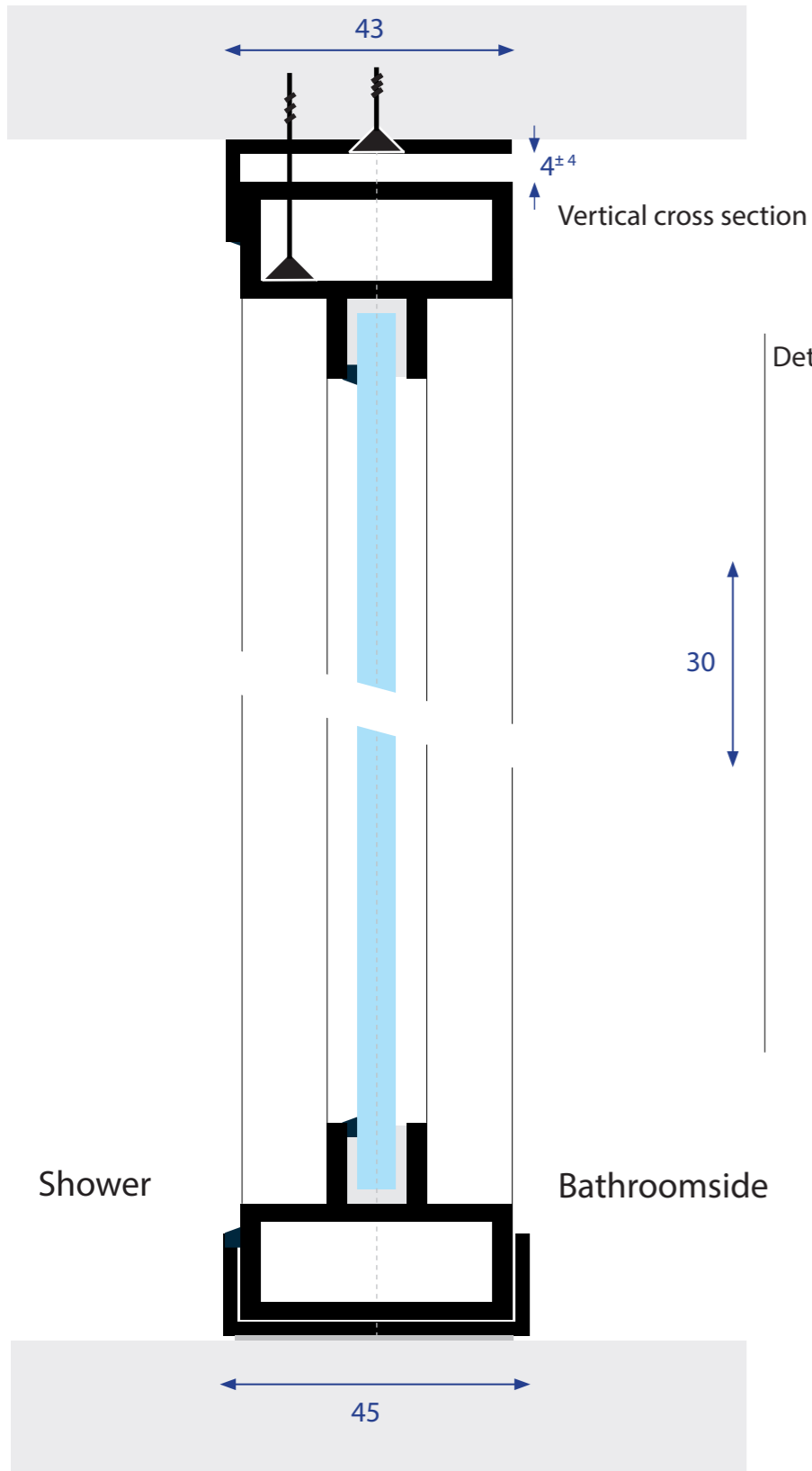
If the wall is skewed, the gap may increase with the number of mms that the wall is skewed.

Apply jointing tape and sealant when mounting

Always read the assembly instructions first: available on simple request



Showerpanel wall mounted Full height



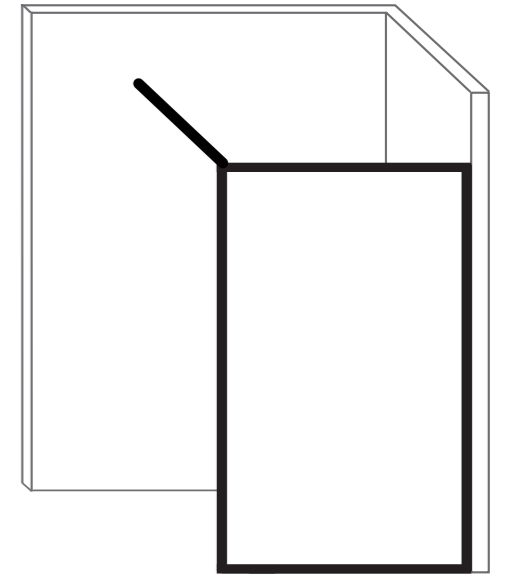
If the wall is skewed, the gap may increase with the number of mms that the wall is skewed.

Always read the assembly instructions first: available on simple request

jointing tape and sealant to be applied to the assembly finish



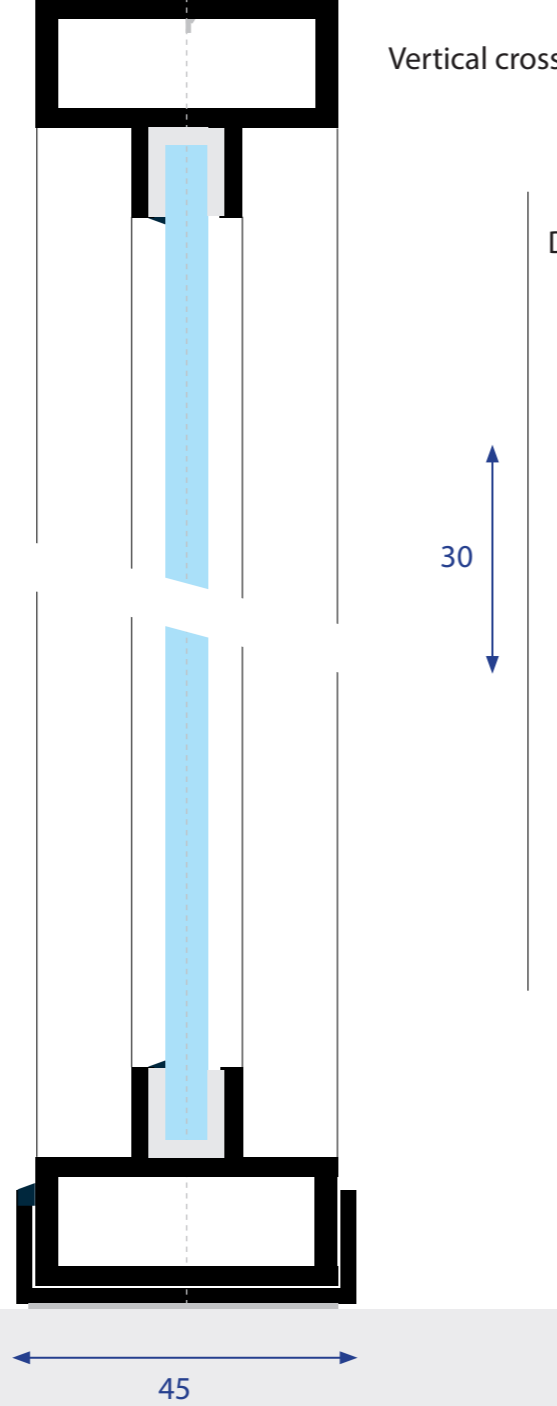
Shower Panel wall mounted With stabilizing bar



Shower

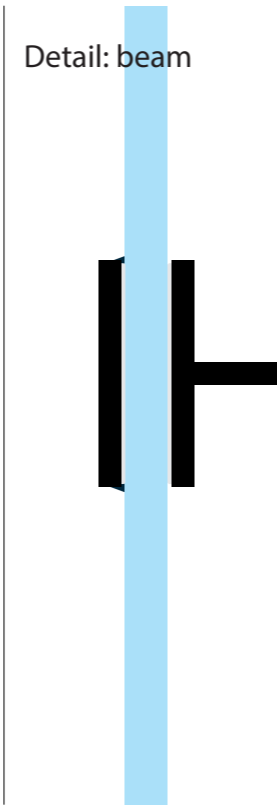
Bathroomside

Vertical cross section



Detail: beam

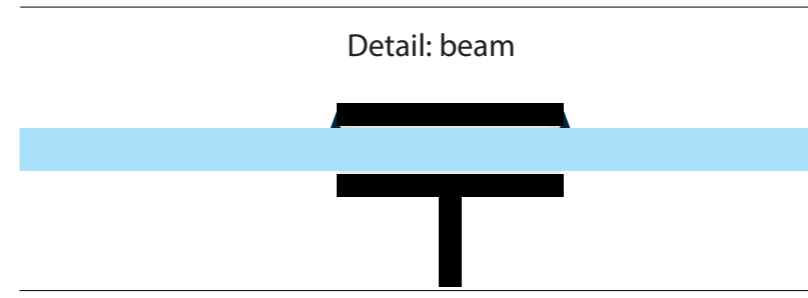
30



Detail: beam

30

Horizontal cross section



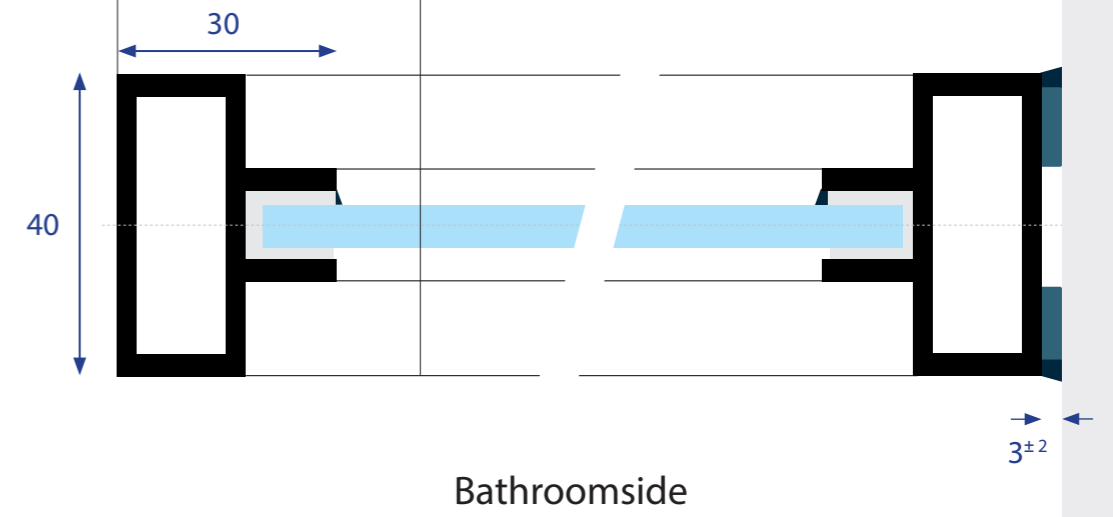
If the wall is skewed, the gap may increase with the number of mms that the wall is skewed.

Always read the assembly instructions first: available on simple request

jointing tape and sealant

to be applied to the assembly finish

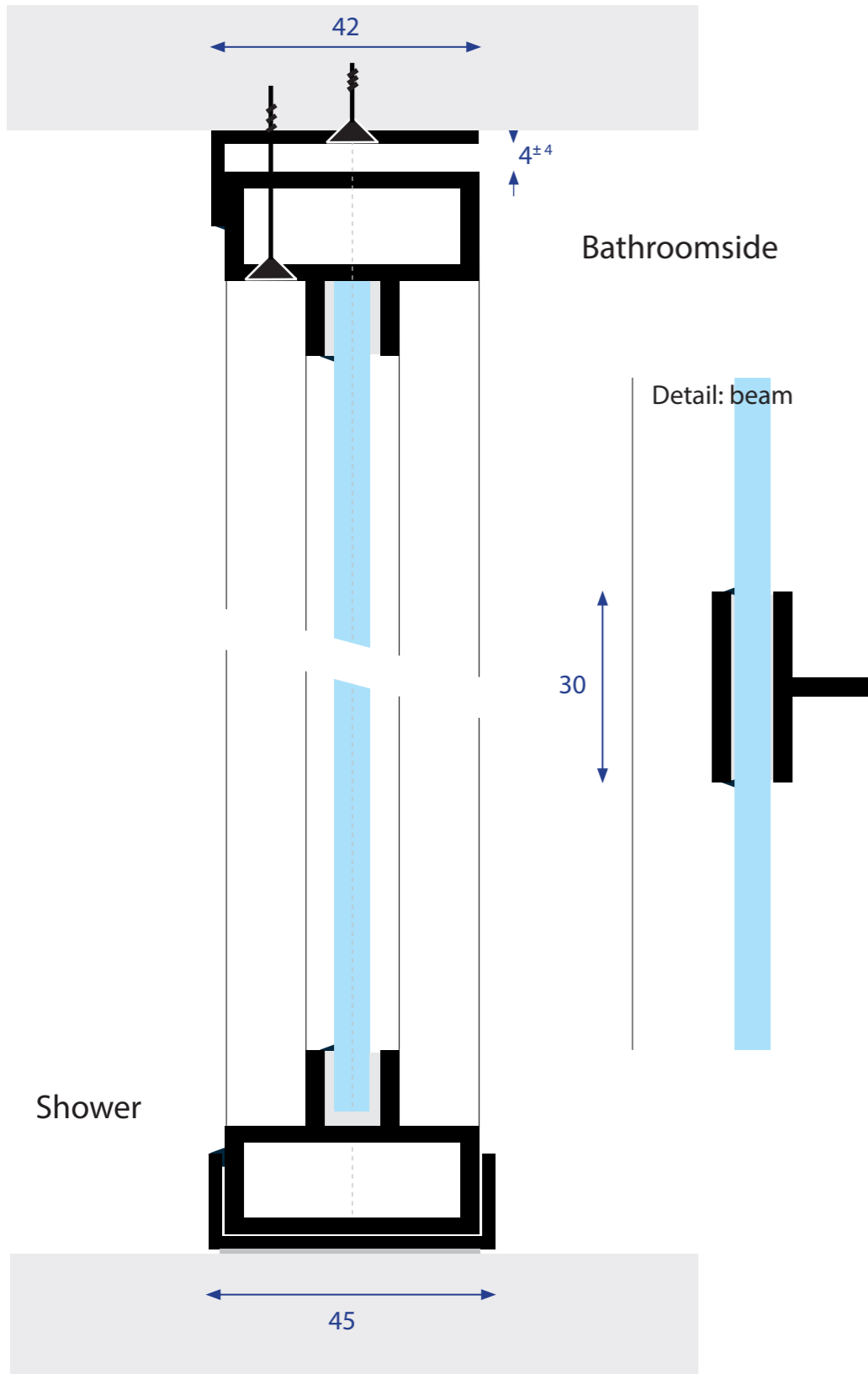
Shower



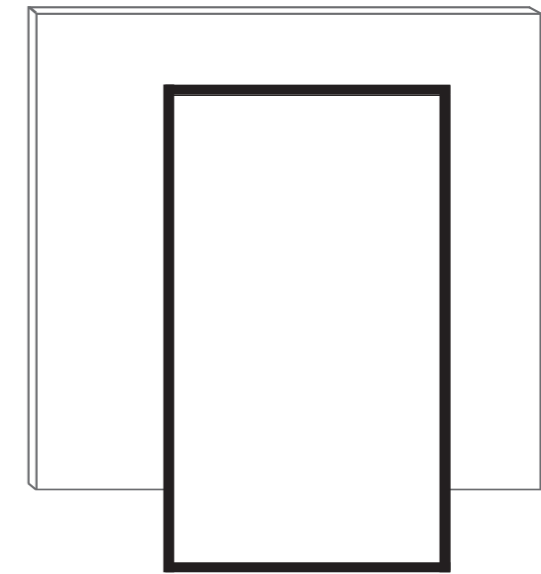
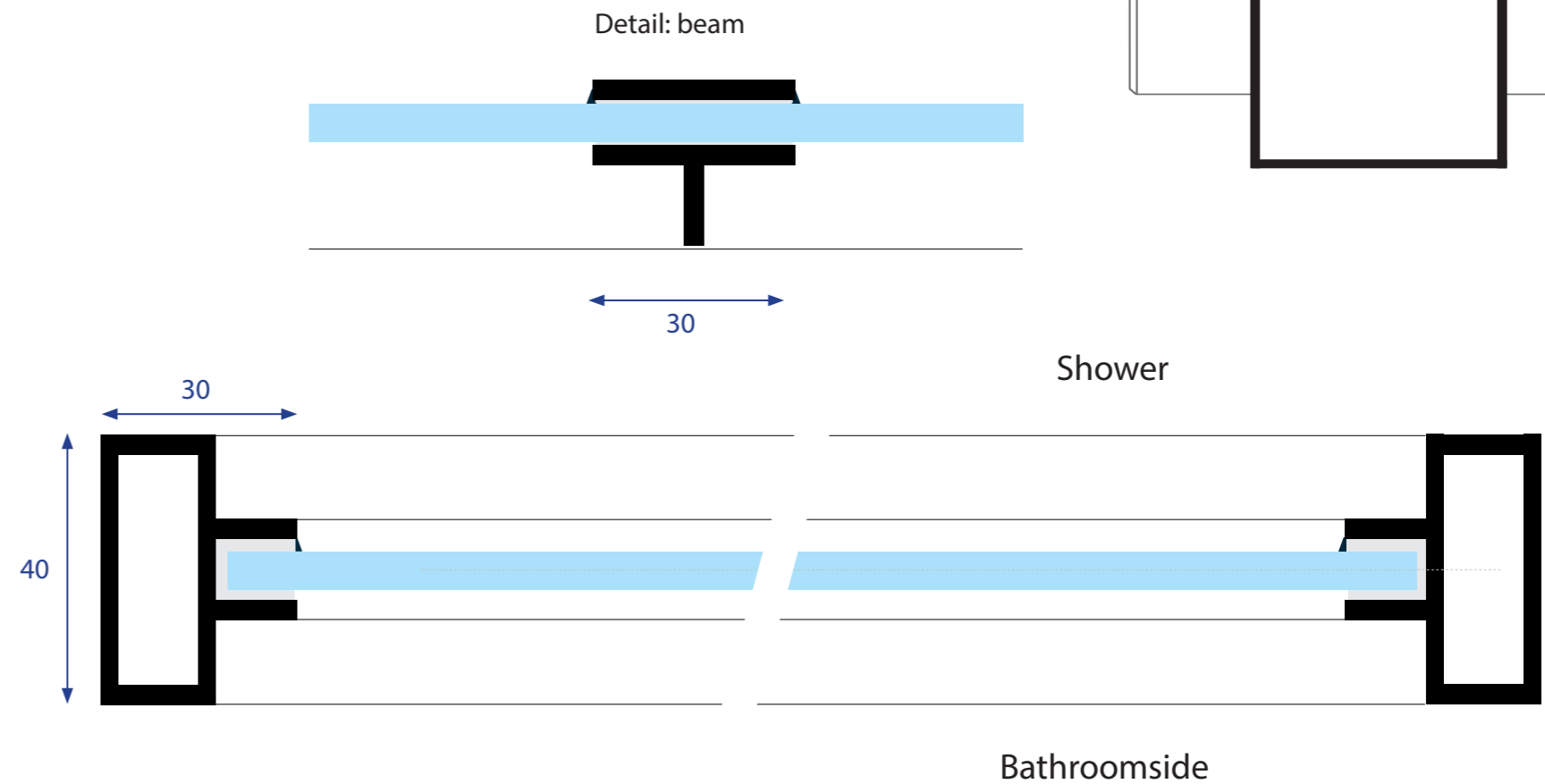
Bathroomside

Shower panel freestanding full height

Vertical cross section



Horizontal cross section



If the wall is skewed, the gap may increase with the number of mms that the wall is skewed.

Always read the assembly instructions first: available on simple request

sealant



to be applied to the assembly finish

Showerpanel freestanding with stabilizing bar

Vertical cross section

Shower

Bathroomside

Detail: beam

Detail: beam

Horizontal cross section

Shower

Bathroomside

If the wall is skewed, the gap may increase with the number of mms that the wall is skewed.

Always read the assembly instructions first: available on simple request

sealant

to be applied to the assembly finish

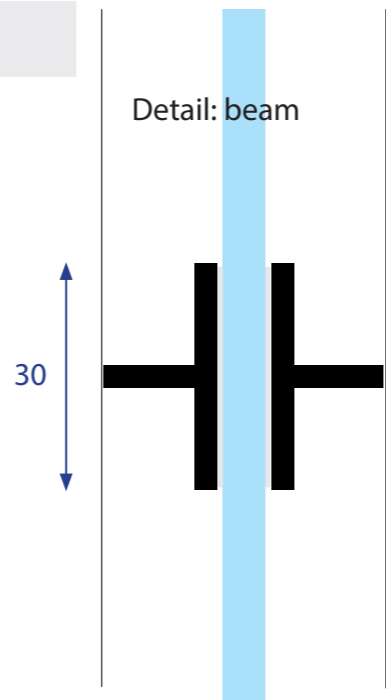
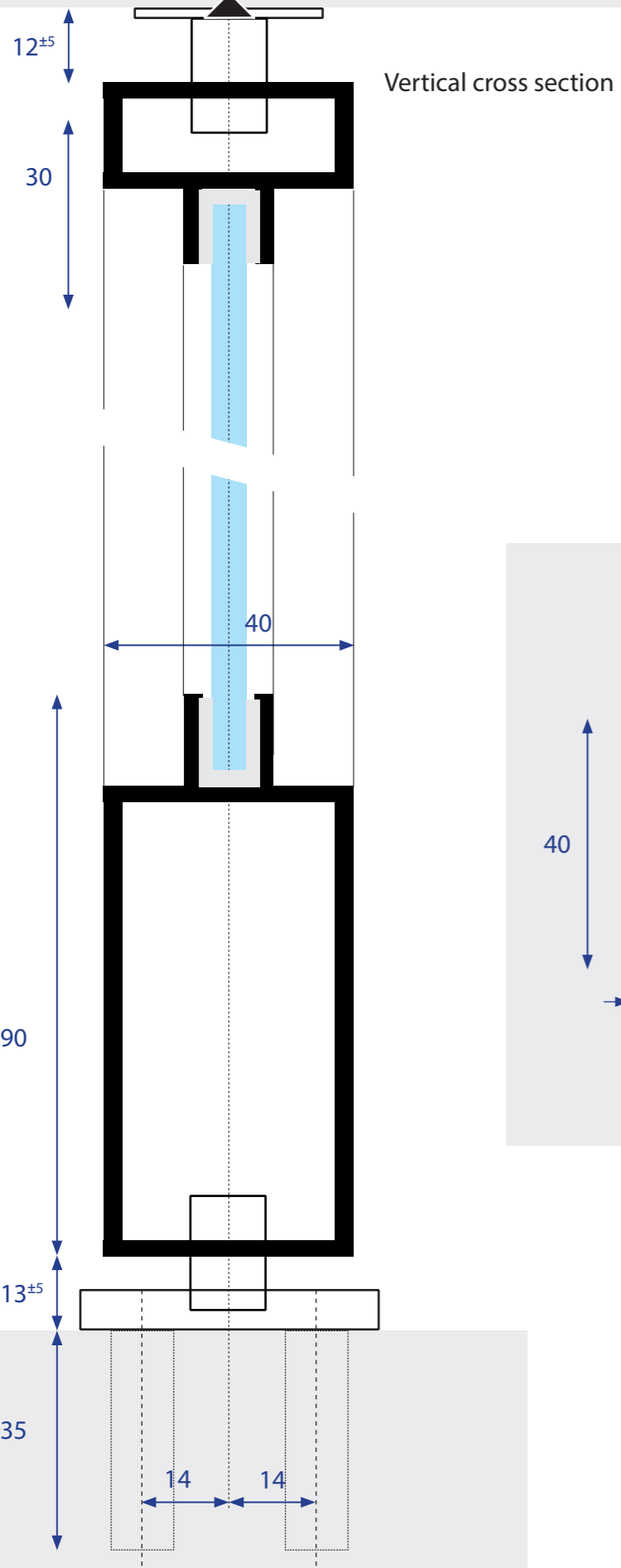
45

30

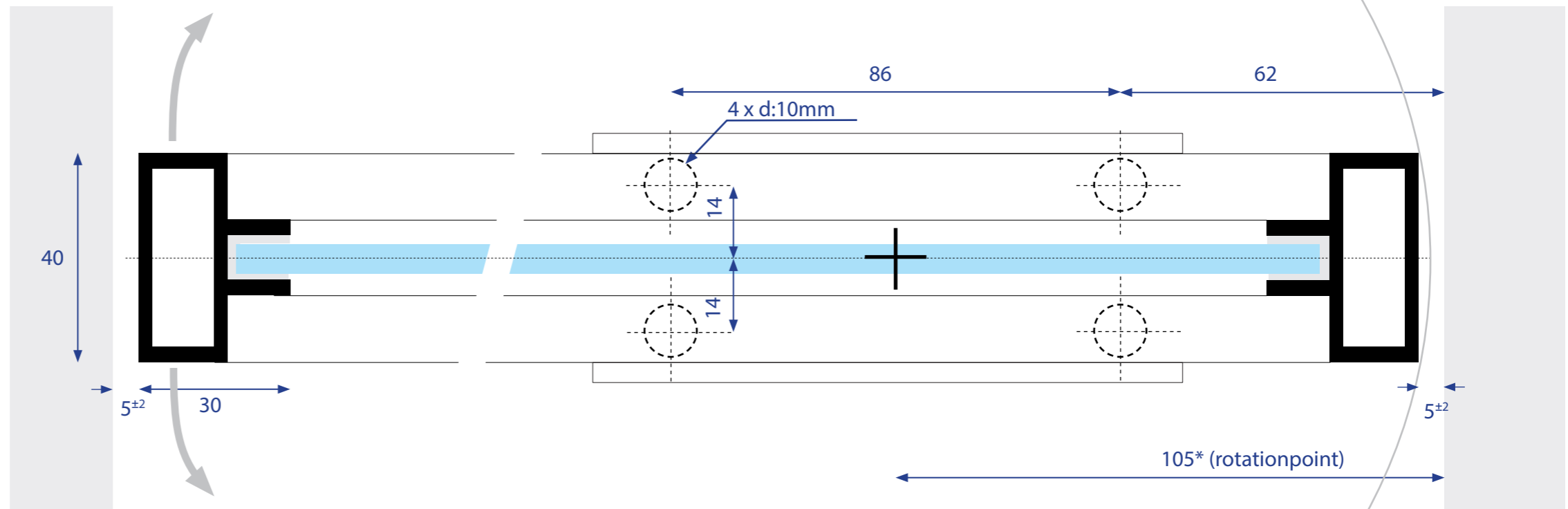
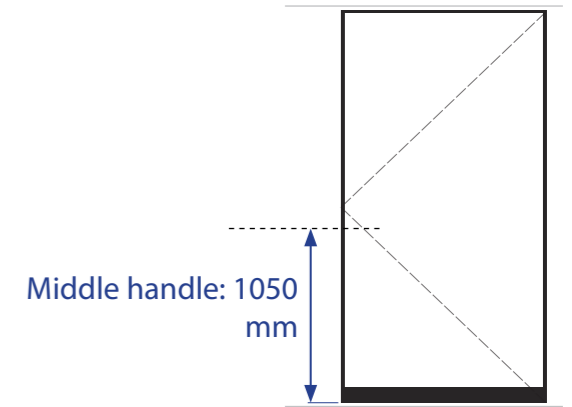
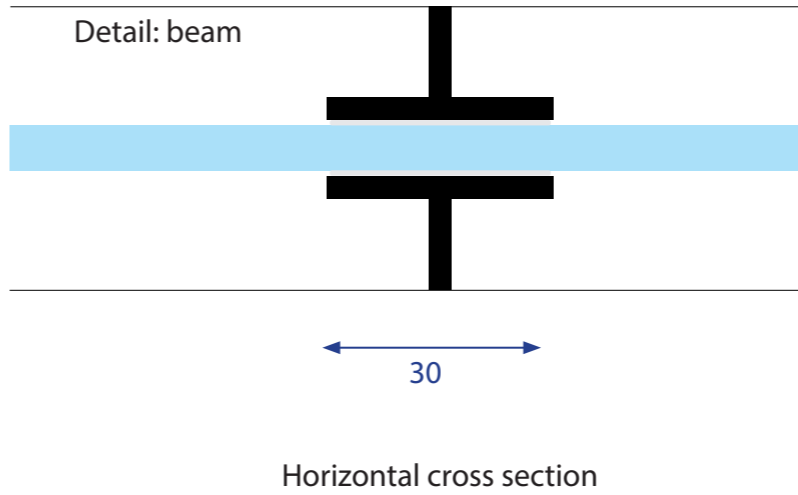
30

30

40



Pivot door

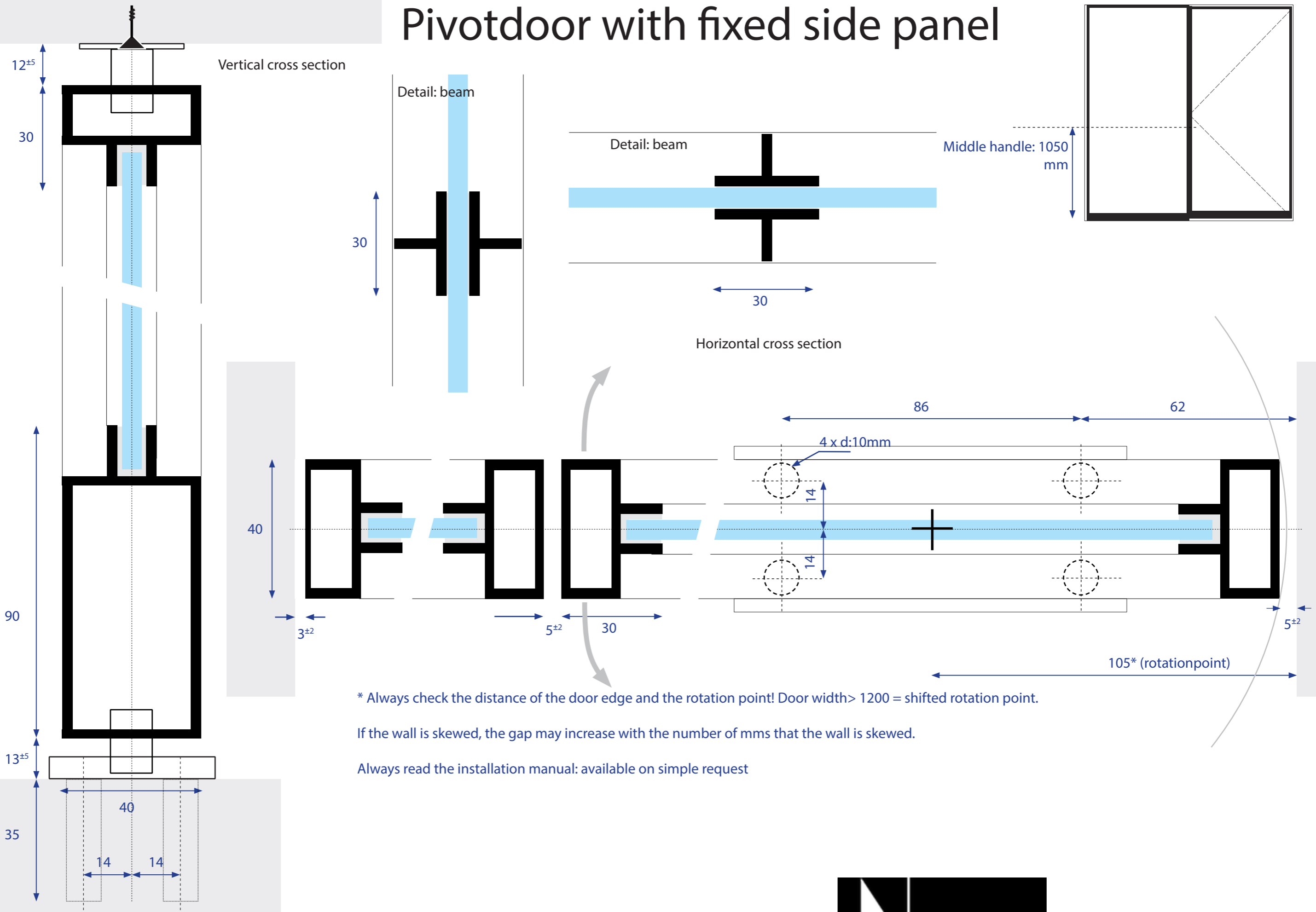


* Always check the distance of the door edge and the rotation point! Door width > 1200 = shifted rotation point.

If the wall is skewed, the gap may increase with the number of mms that the wall is skewed.

Always read the installation manual: available on simple request

Pivotdoor with fixed side panel

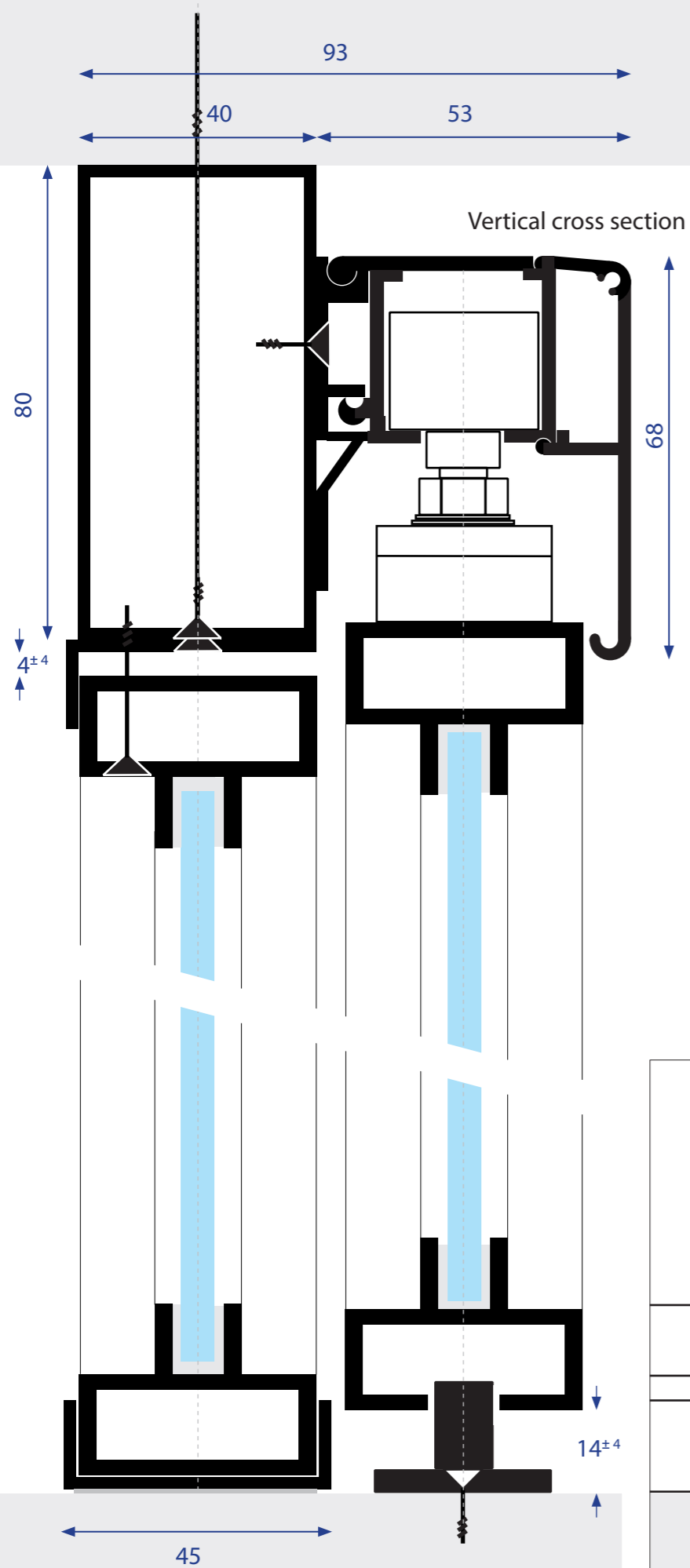


* Always check the distance of the door edge and the rotation point! Door width > 1200 = shifted rotation point.

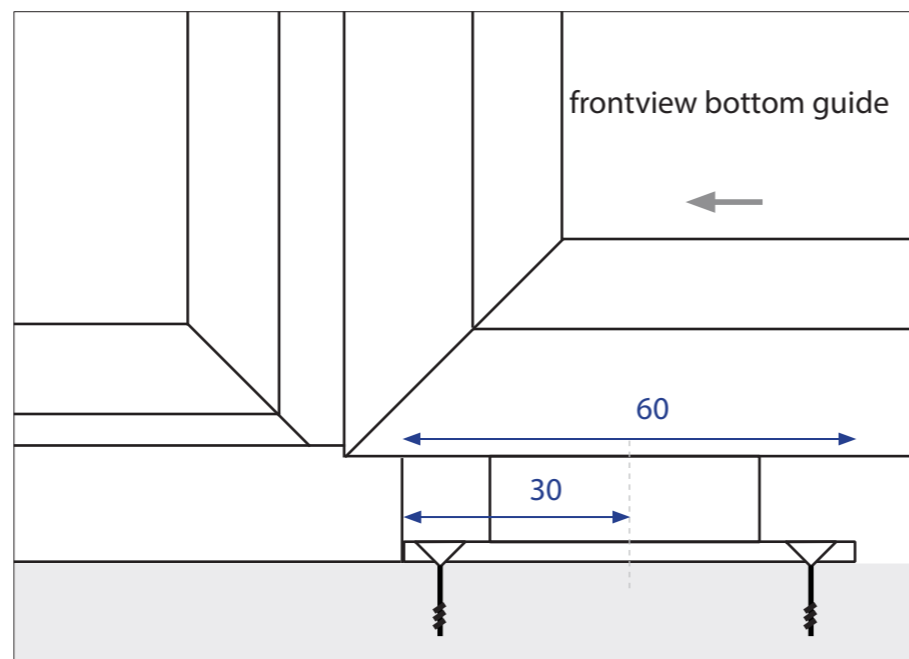
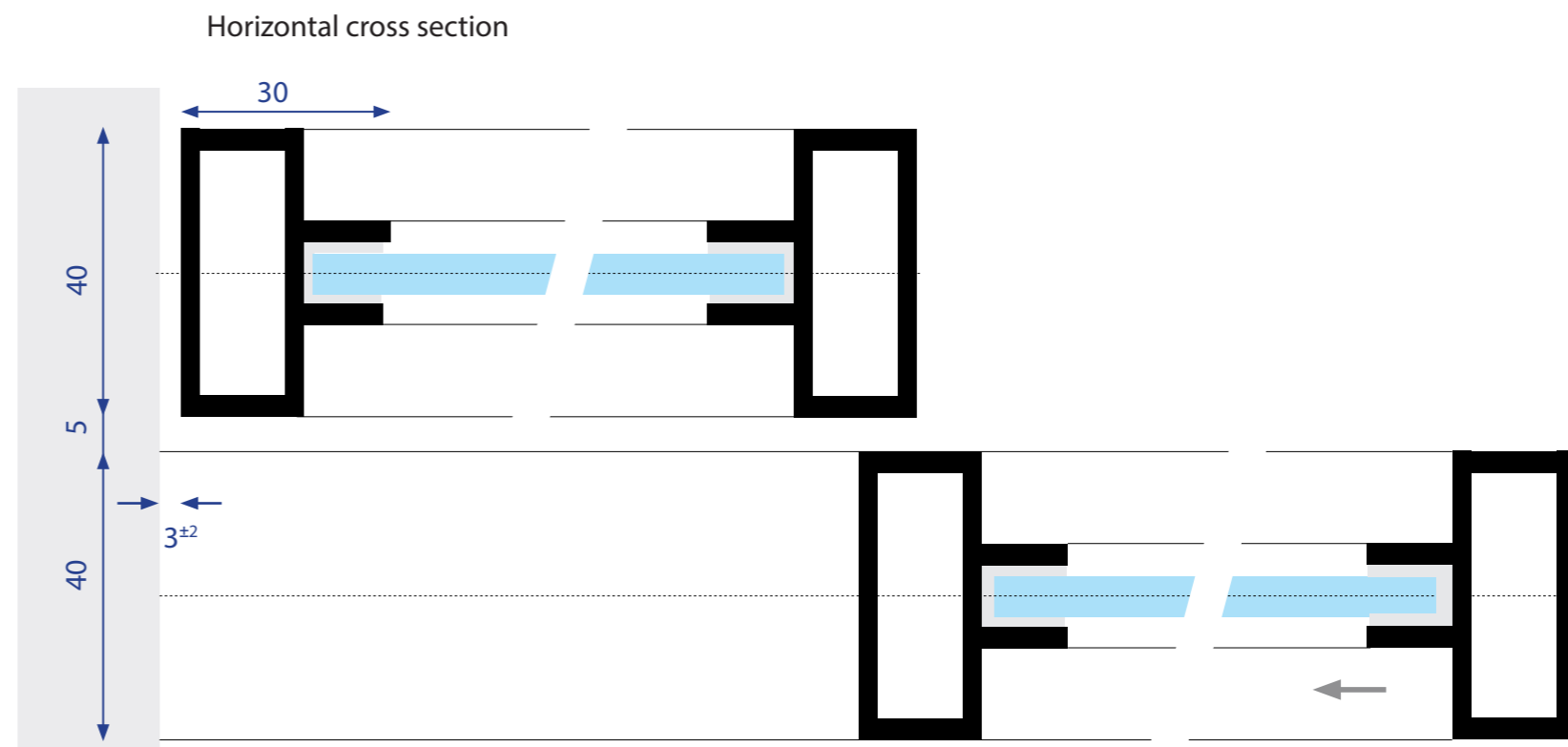
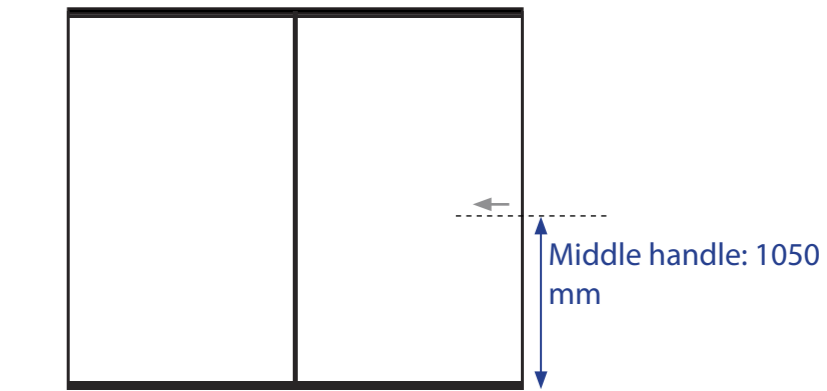
If the wall is skewed, the gap may increase with the number of mms that the wall is skewed.

Always read the installation manual: available on simple request

Slider with fixed side panel



www.insensation.com



inc@insensation.com

If the wall is skewed, the gap may increase with the number of mms that the wall is skewed.

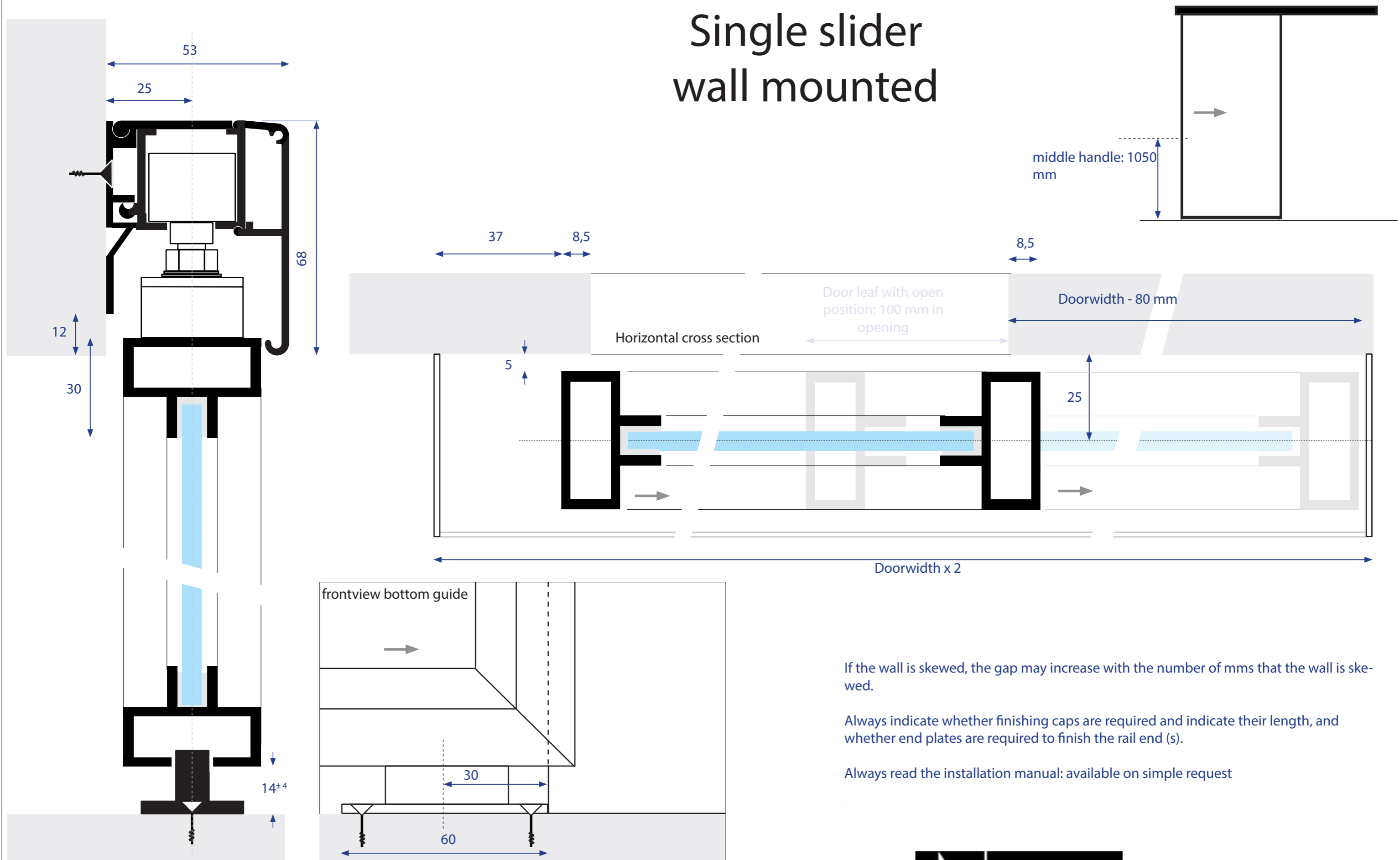
Always read the installation manual: available on simple request

Always indicate whether finishing caps are required and indicate their length, and whether end plates are required to finish the rail end (s).

Apply jointing tape and sealant to the assembly finish if necessary



Single slider wall mounted

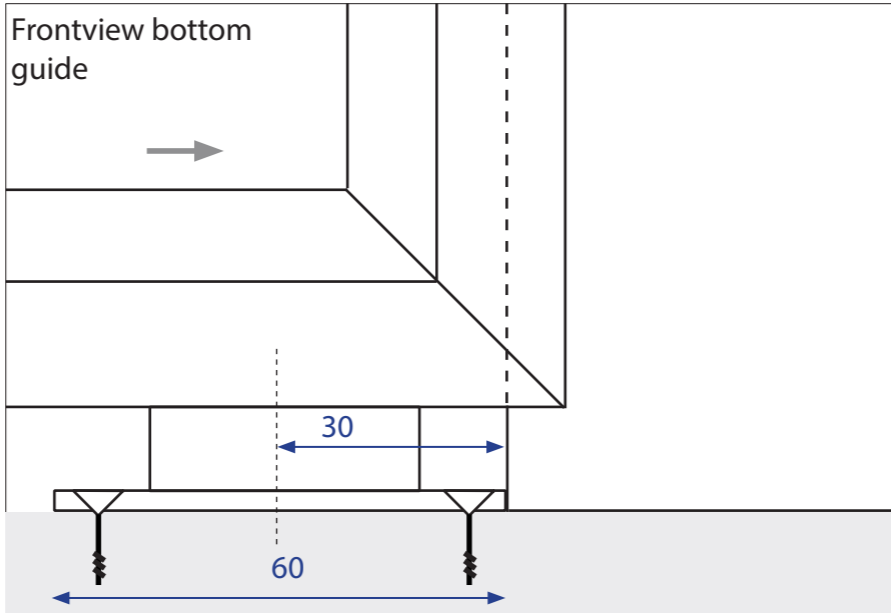
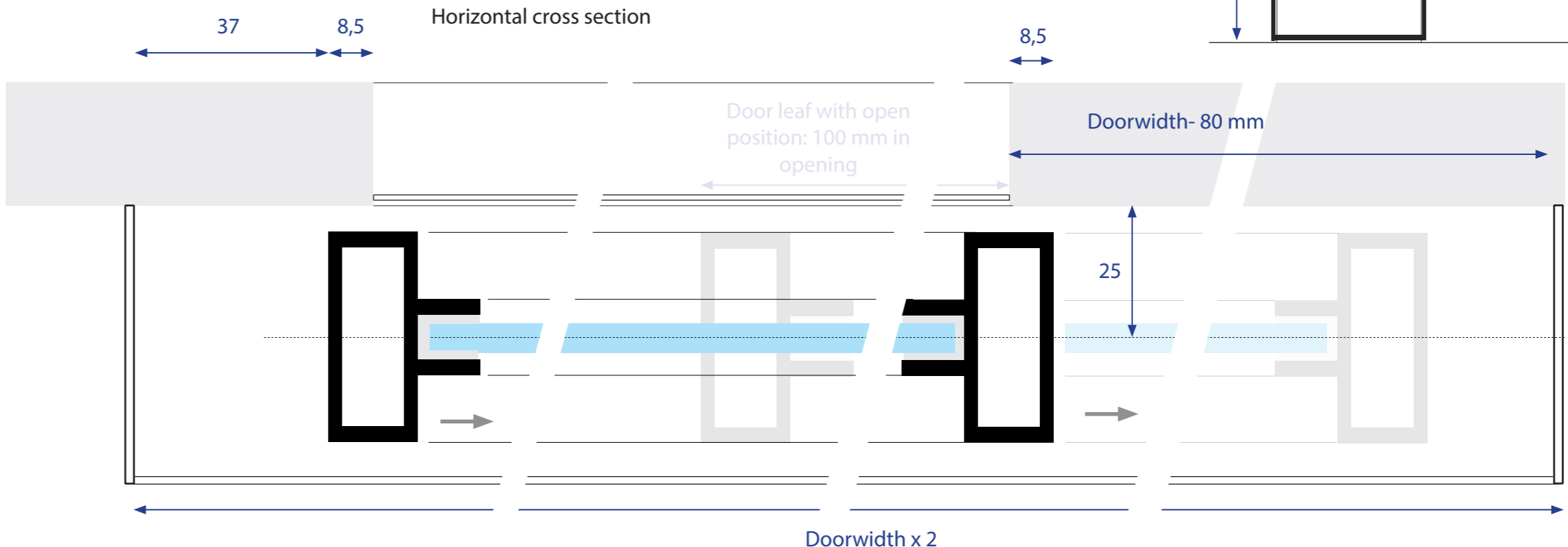
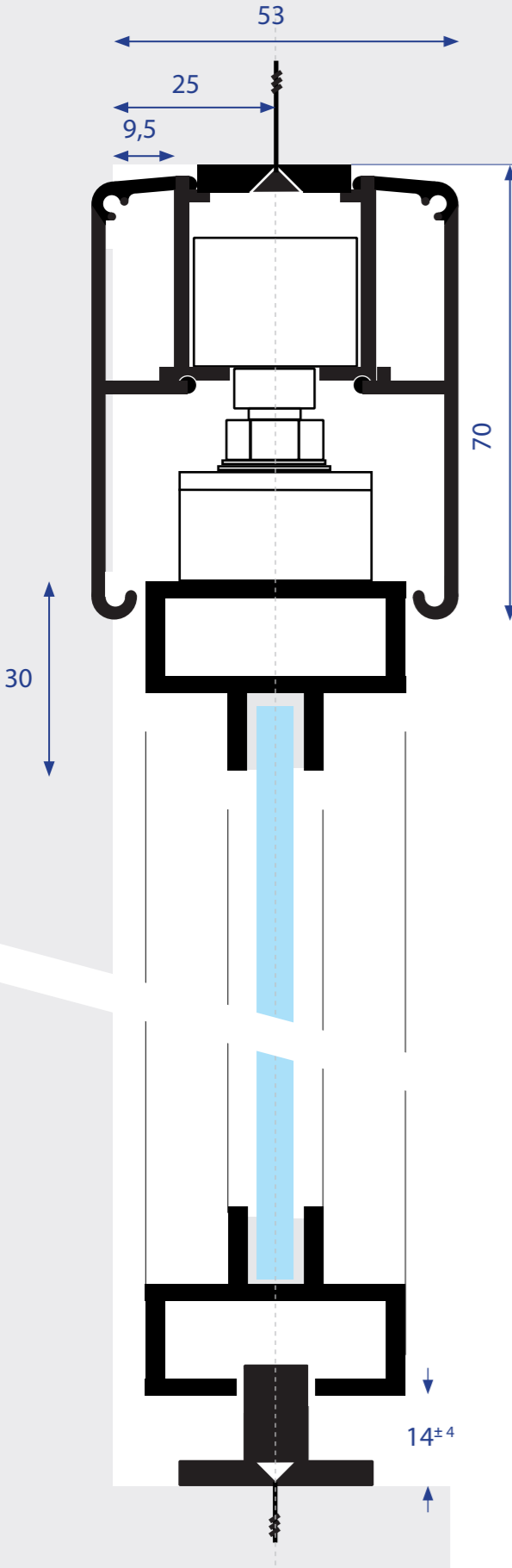


If the wall is skewed, the gap may increase with the number of mms that the wall is skewed.

Always indicate whether finishing caps are required and indicate their length, and whether end plates are required to finish the rail end (s).

Always read the installation manual: available on simple request

Singel slider ceiling mounted



middle handle: 1050 mm

If the wall is skewed, the gap may increase with the number of mms that the wall is skewed.

Always indicate whether finishing caps are required and indicate their length, and whether end plates are required to finish the rail end (s).

Always read the installation manual: available on simple request