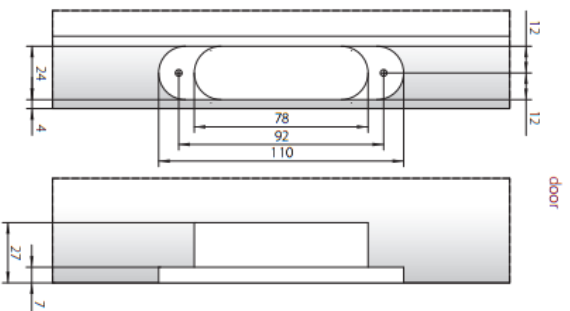
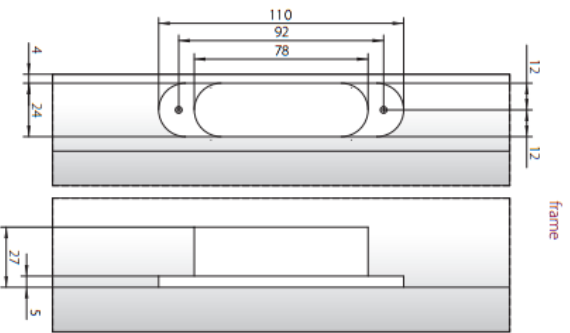
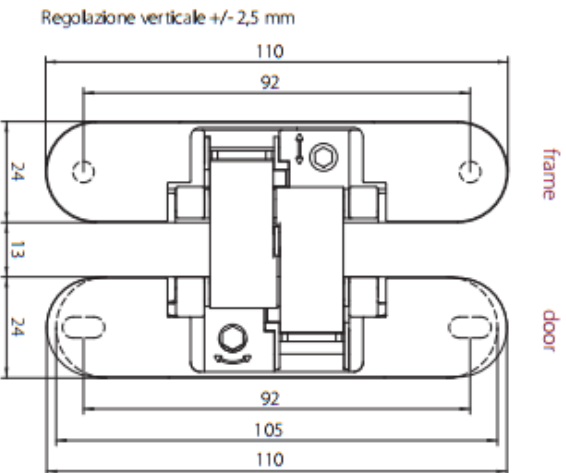
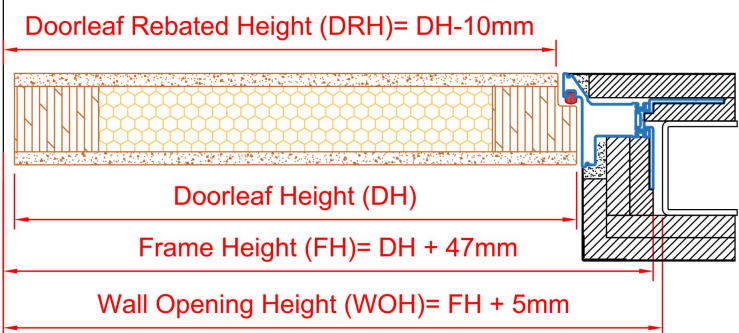


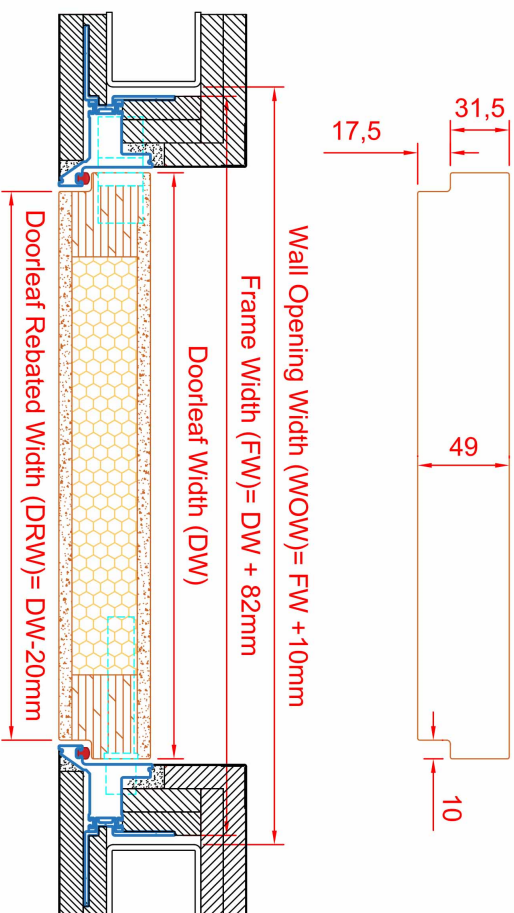
FS1 Milling



VERTICAL SECTION

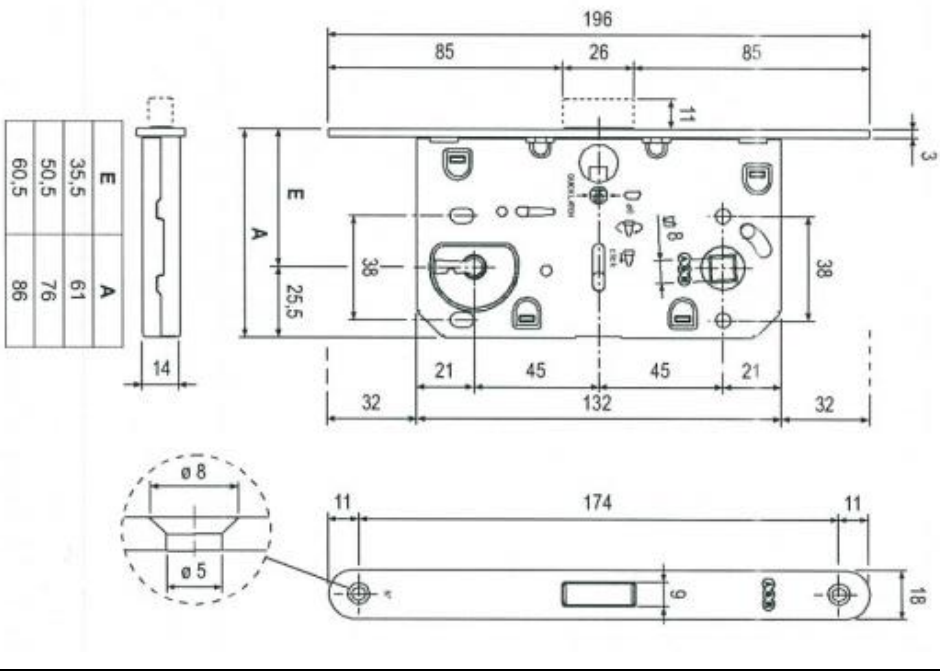


HORIZONTAL SECTION

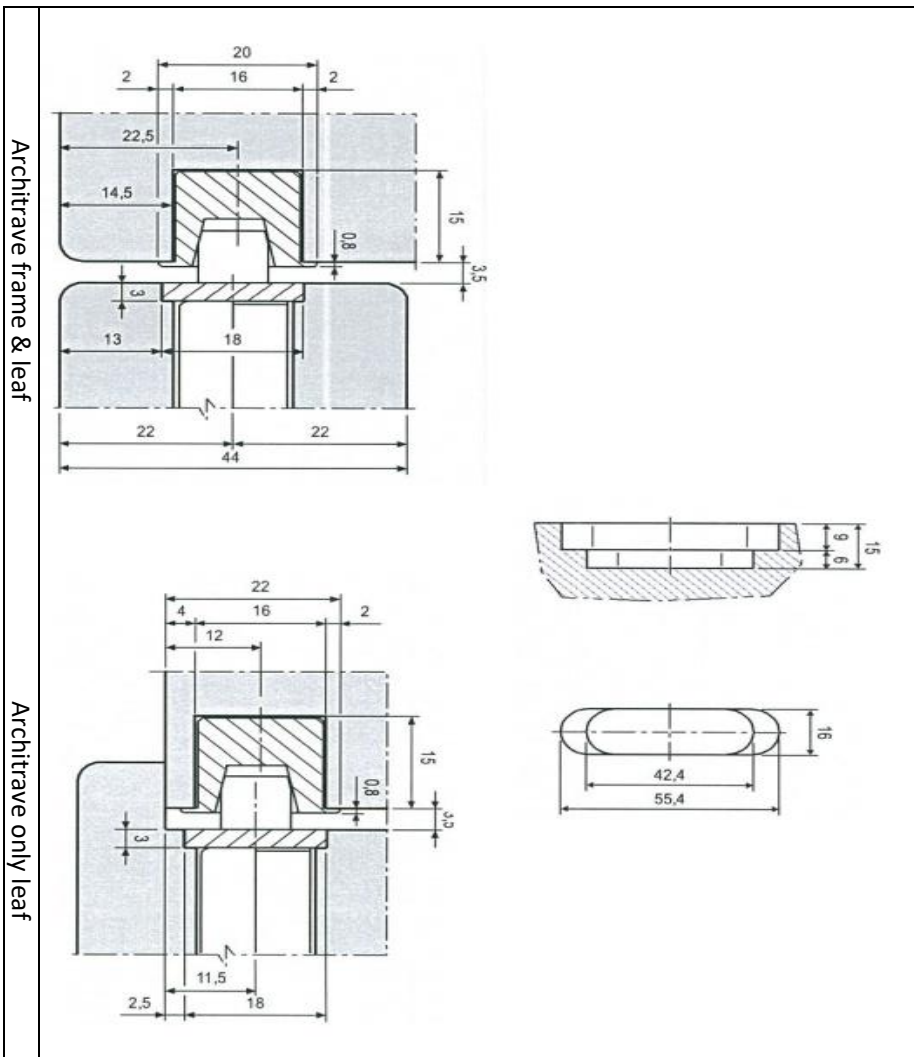


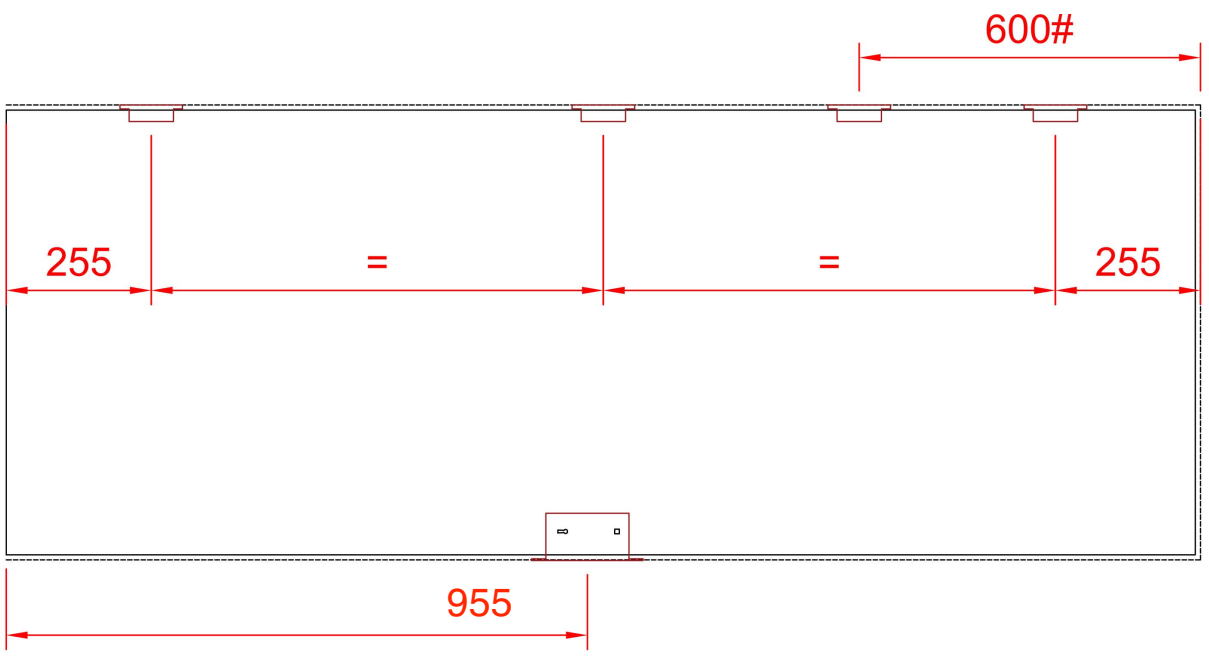
- DOORLEAF THICKNESS: 49mm
- REBATE ON TOP & SIDES, NOT BOTTOM

DOOR



FRAME





4th Hinge is used for tubular or solid cores, or doorleafs higher than 2400mm