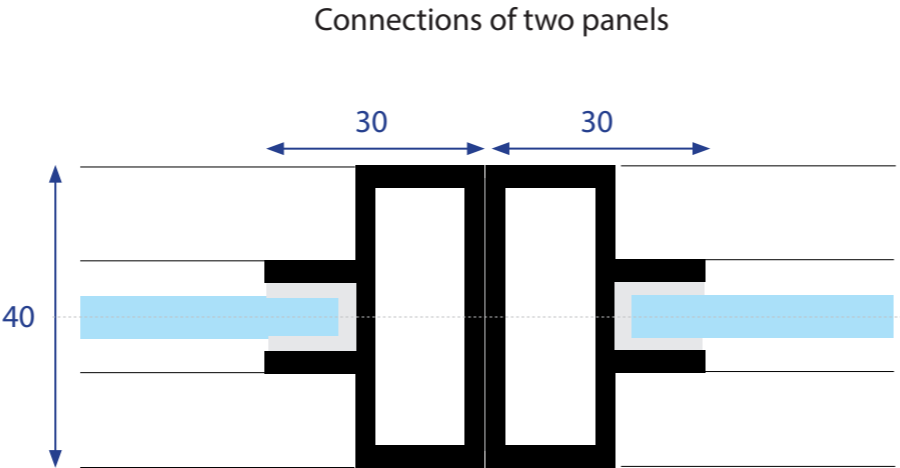
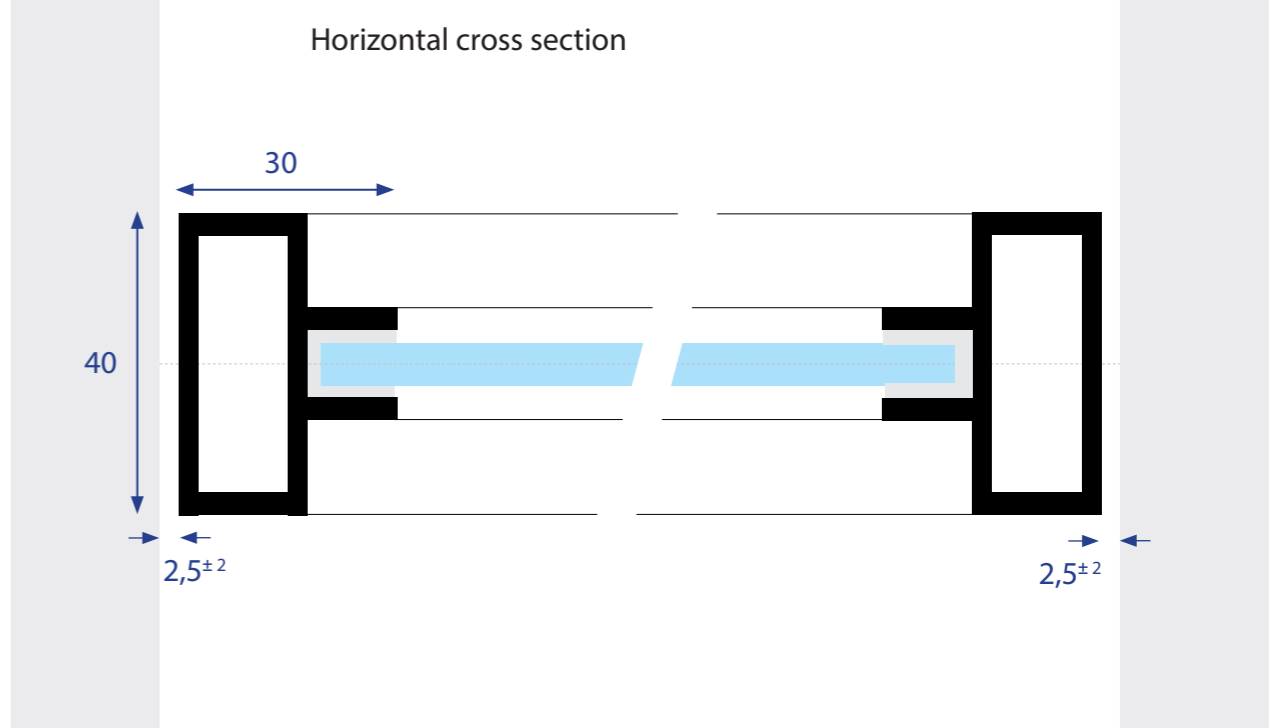
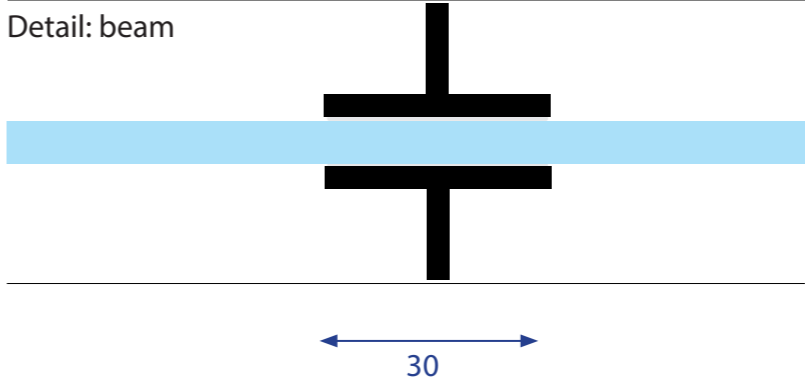
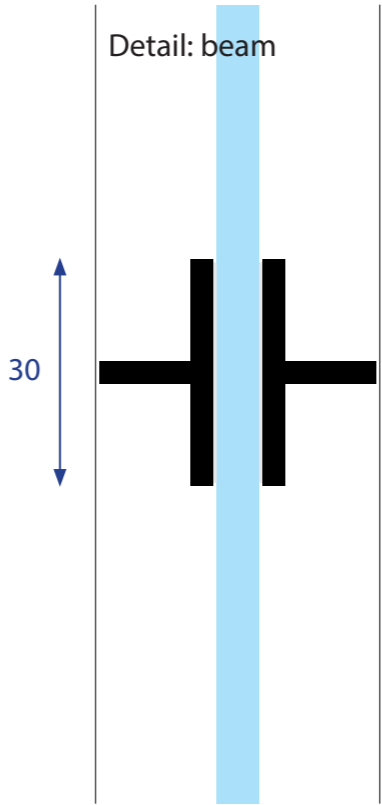
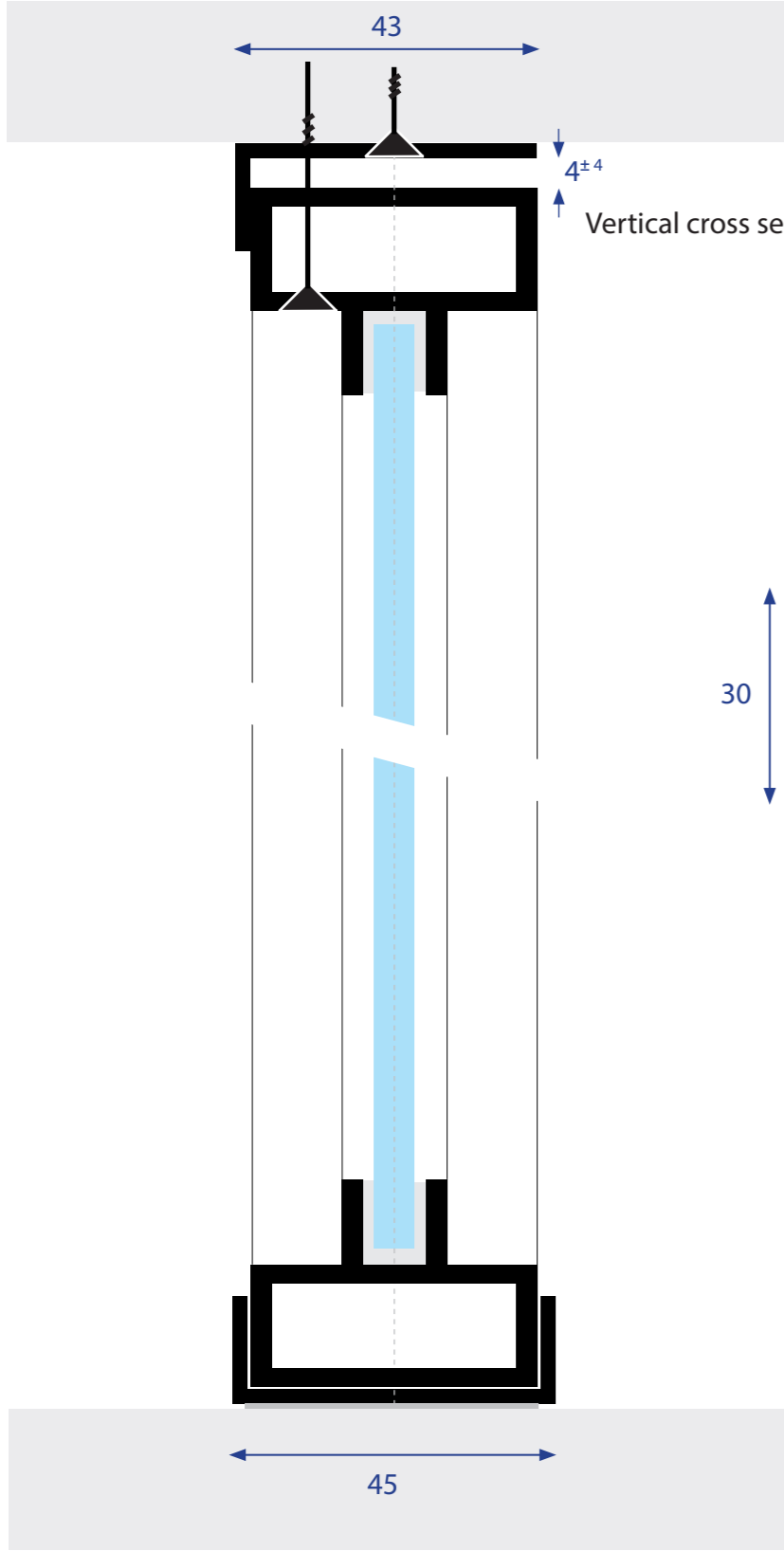


Fixed panel



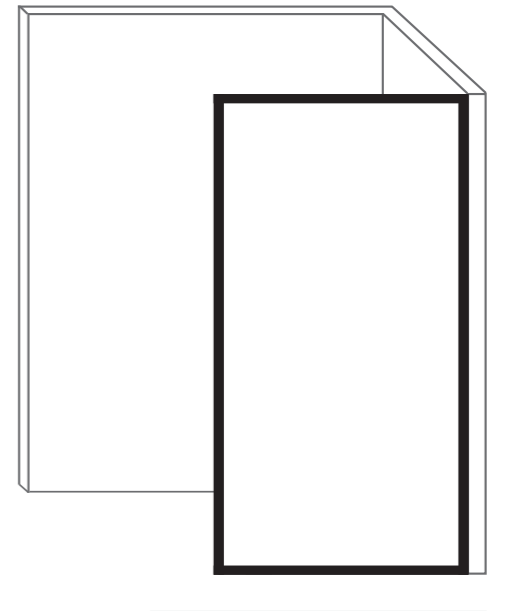
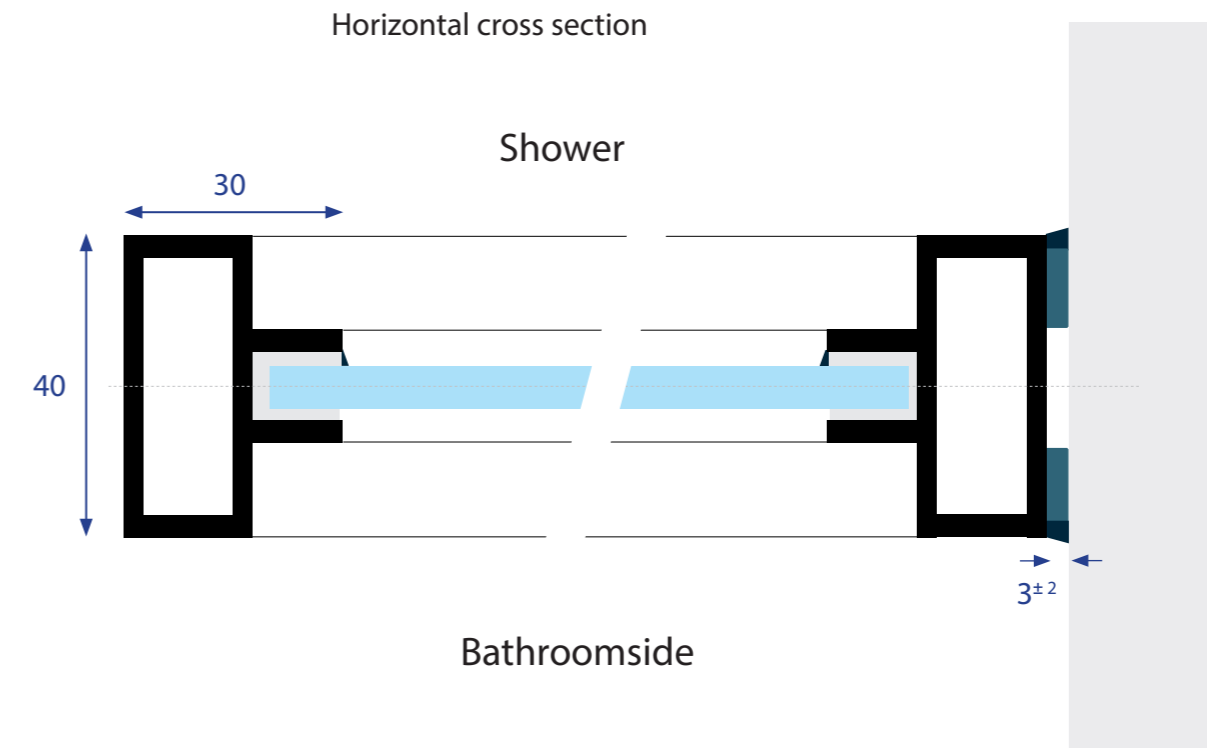
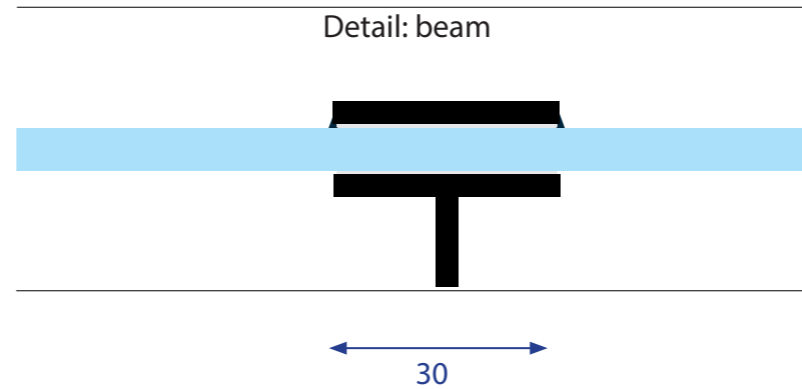
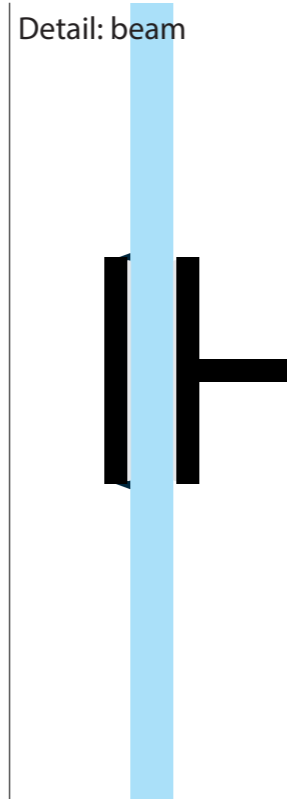
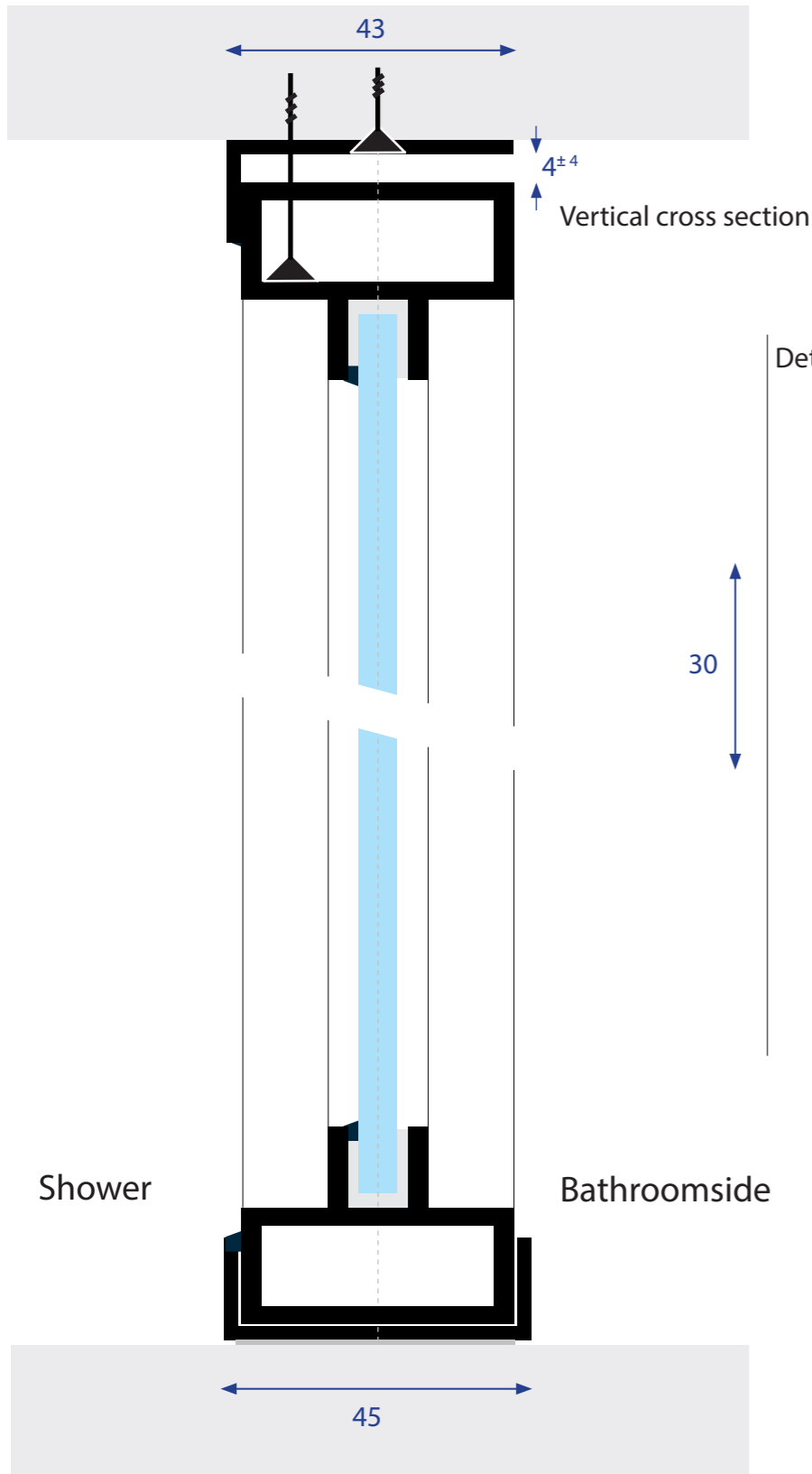
If the wall is skewed, the gap may increase with the number of mms that the wall is skewed.

Apply jointing tape and sealant when mounting

Always read the assembly instructions first: available on simple request

11.2019 EMEZZI, the illustrated diagrams are offered as an aid, subject to changes,

Showerpanel wall mounted Full height



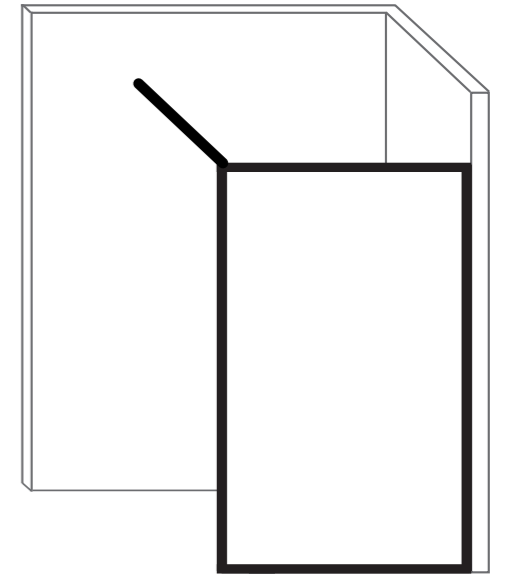
If the wall is skewed, the gap may increase with the number of mms that the wall is skewed.

Always read the assembly instructions first: available on simple request

jointing tape and sealant to be applied to the assembly finish



Shower Panel wall mounted With stabilizing bar



Shower

Bathroomside

Vertical cross section

Detail: beam

Detail: beam

30

Horizontal cross section

If the wall is skewed, the gap may increase with the number of mms that the wall is skewed.

Always read the assembly instructions first: available on simple request

jointing tape and sealant

■ ■
to be applied to the assembly finish

30

Shower

30

40

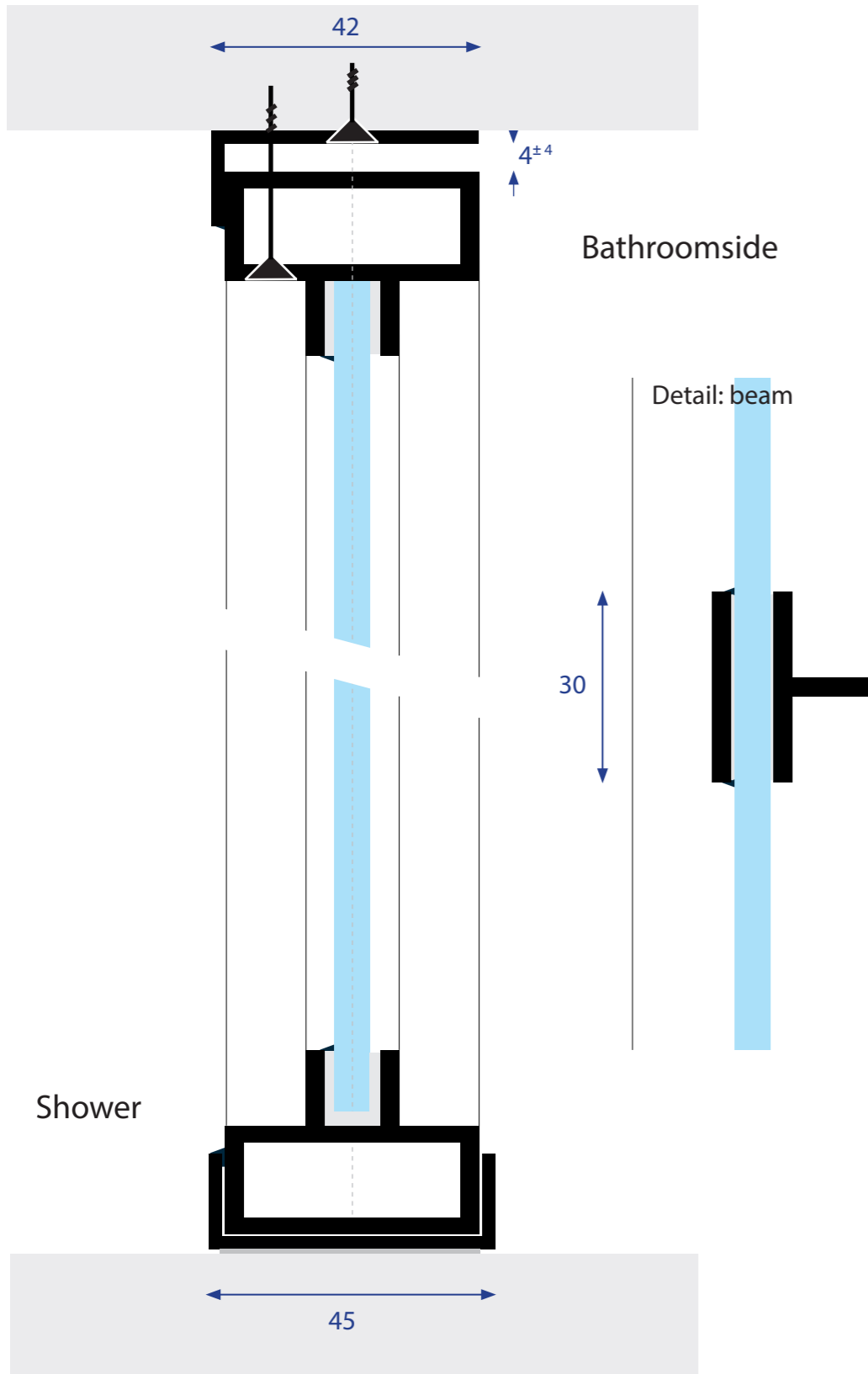
3±2

Bathroomside

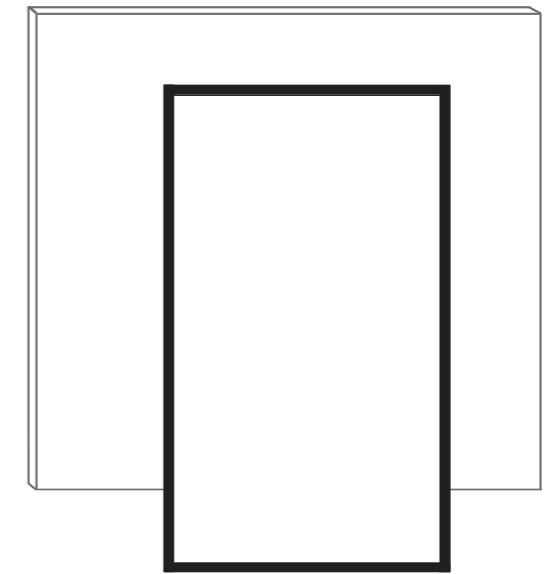
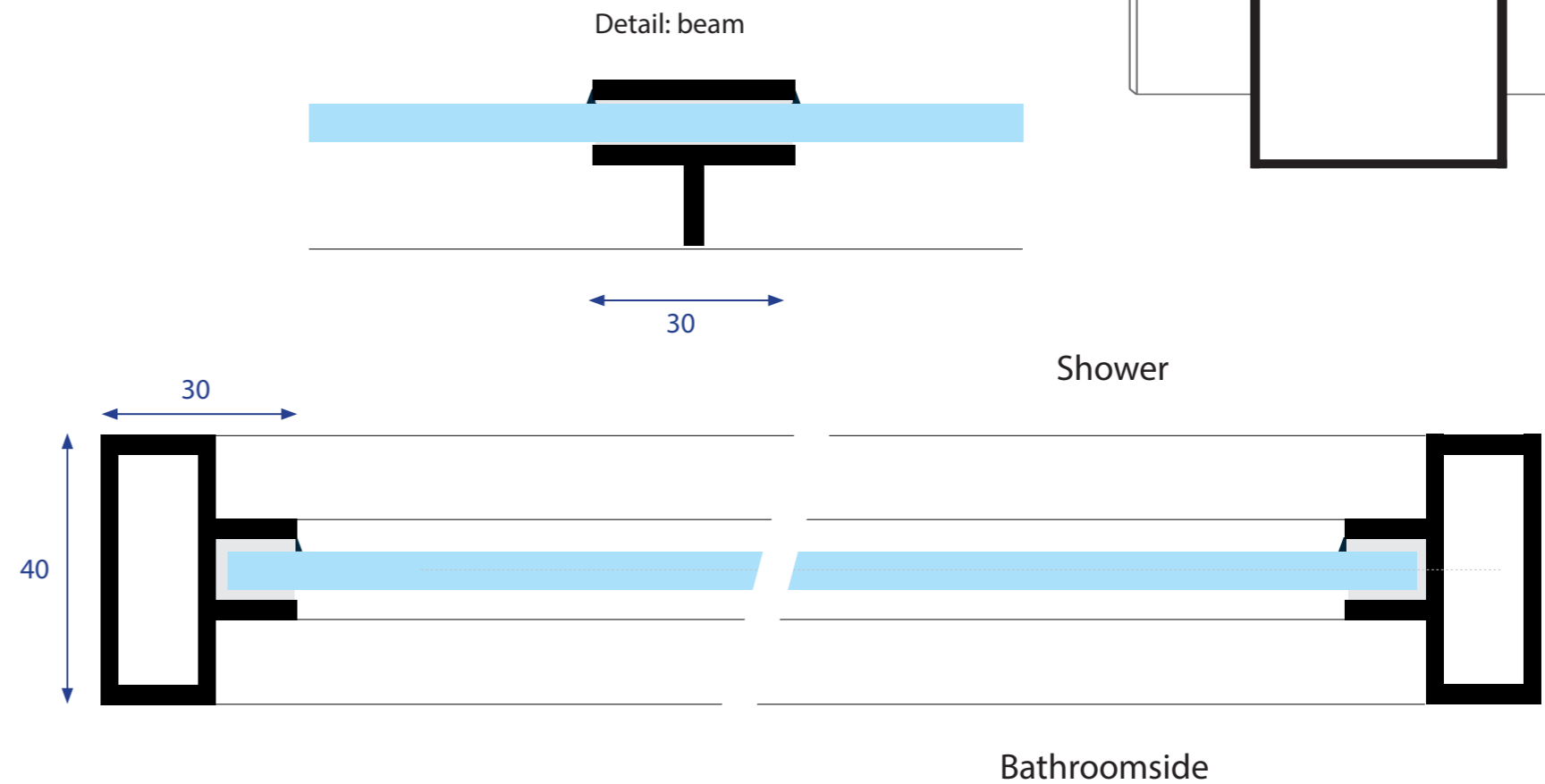
45

Shower panel freestanding full height

Vertical cross section



Horizontal cross section



If the wall is skewed, the gap may increase with the number of mms that the wall is skewed.

Always read the assembly instructions first: available on simple request

sealant



to be applied to the assembly finish

Showerpanel freestanding with stabilizing bar

Vertical cross section

Shower

Bathroomside

Detail: beam

Detail: beam

Horizontal cross section

Shower

Bathroomside

If the wall is skewed, the gap may increase with the number of mms that the wall is skewed.

Always read the assembly instructions first: available on simple request

sealant

to be applied to the assembly finish

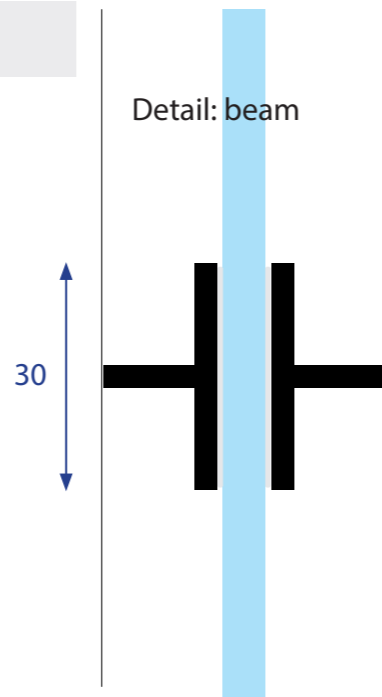
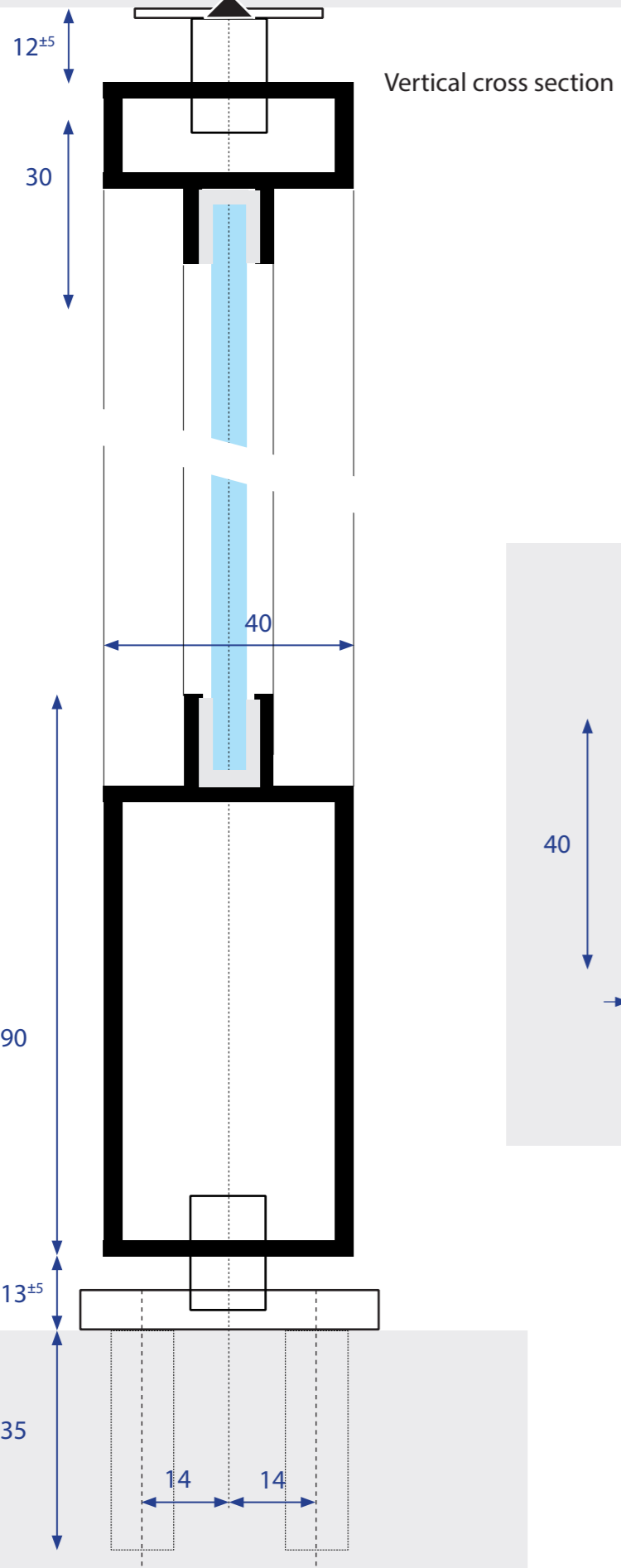
45

30

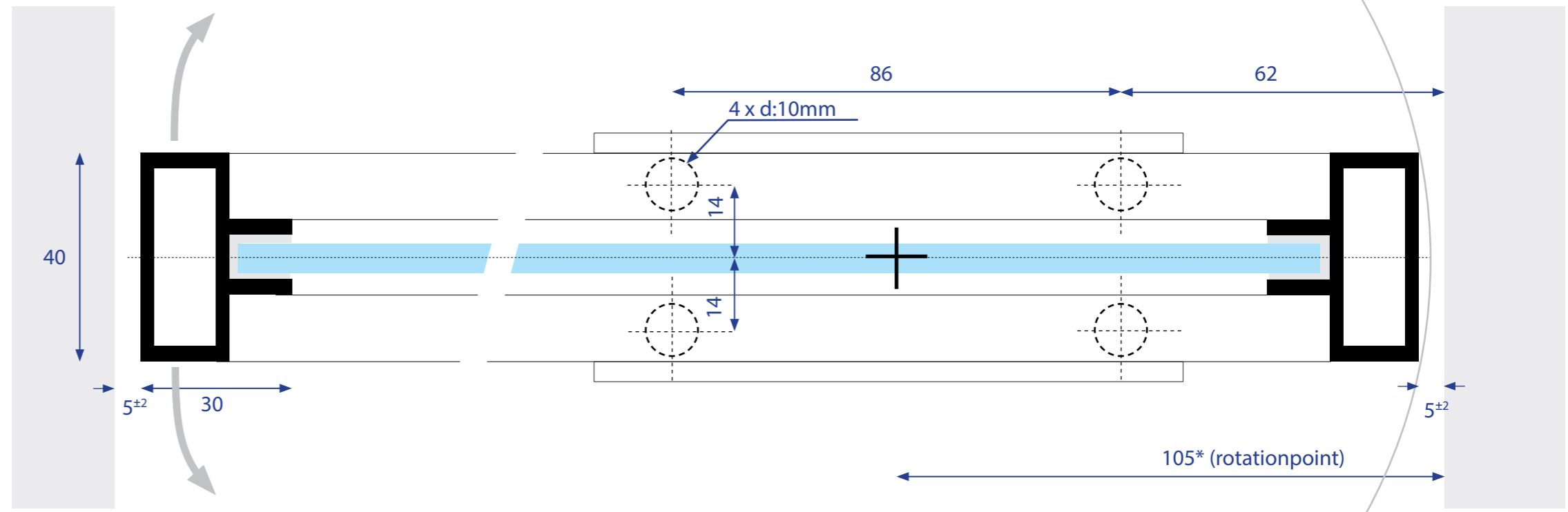
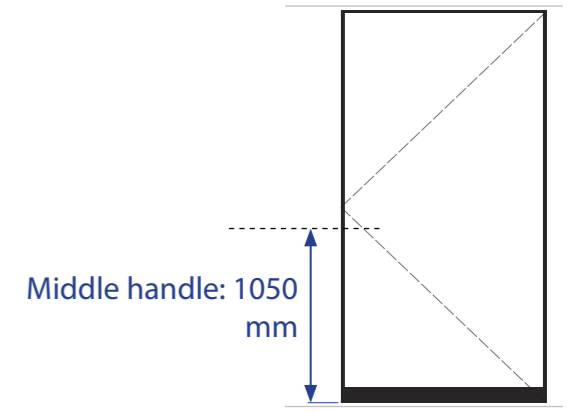
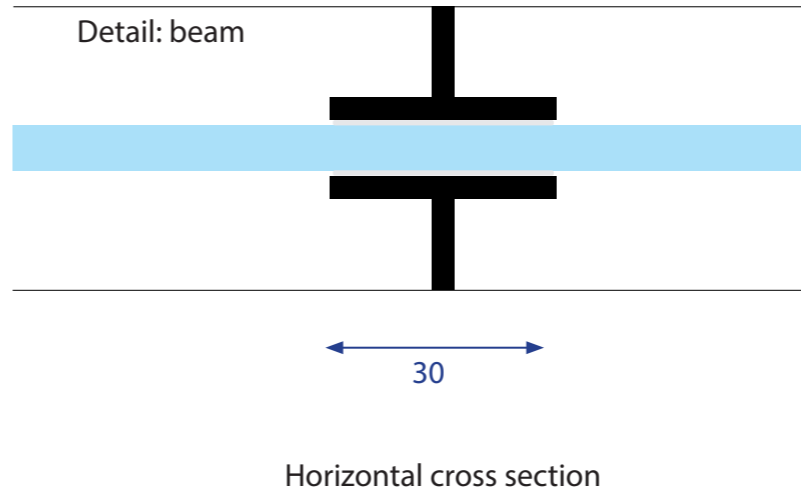
30

30

40



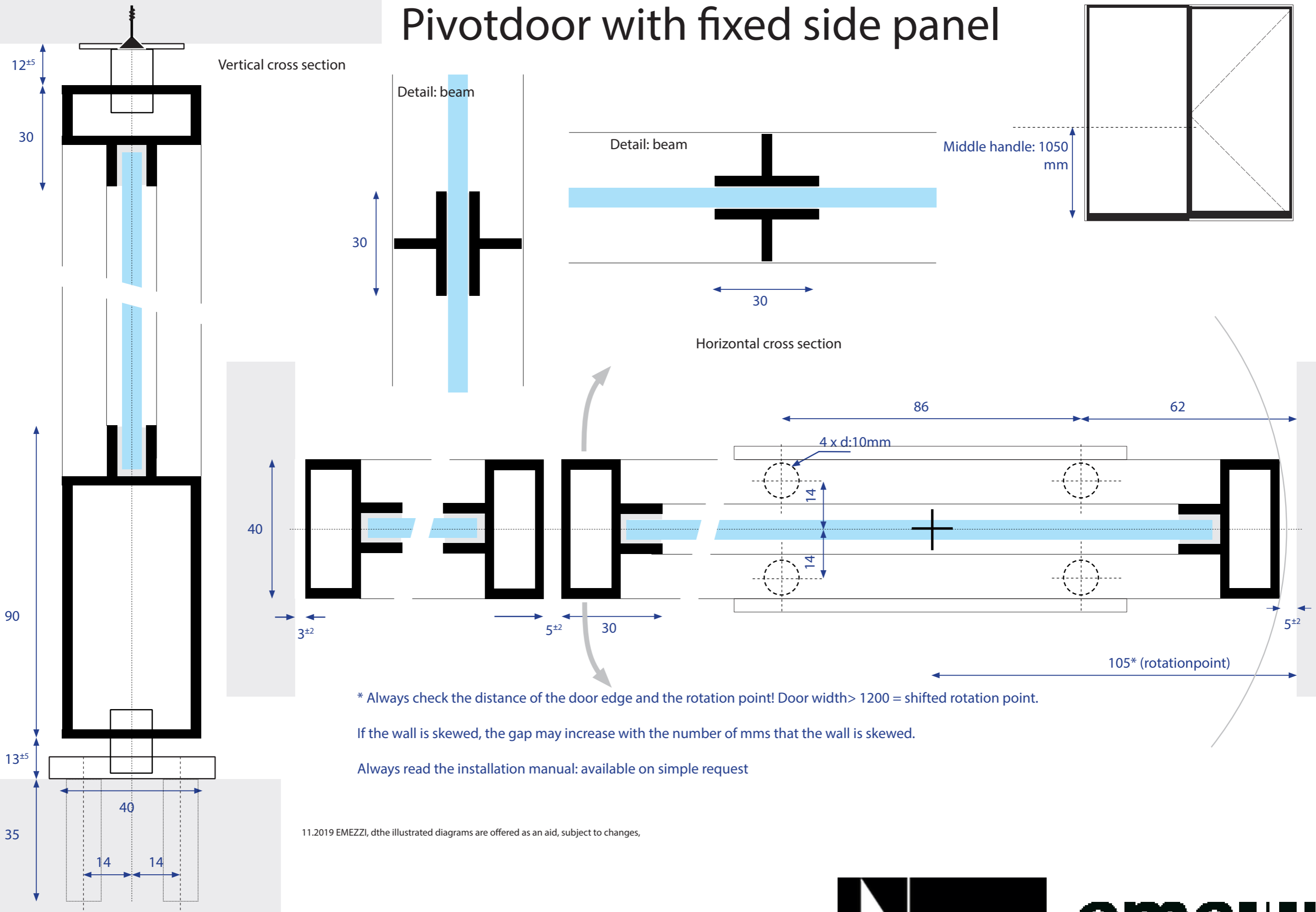
Pivot door



* Always check the distance of the door edge and the rotation point! Door width > 1200 = shifted rotation point.
 If the wall is skewed, the gap may increase with the number of mms that the wall is skewed.
 Always read the installation manual: available on simple request

11.2019 EMEZZI, the illustrated diagrams are offered as an aid, subject to changes,

Pivotdoor with fixed side panel



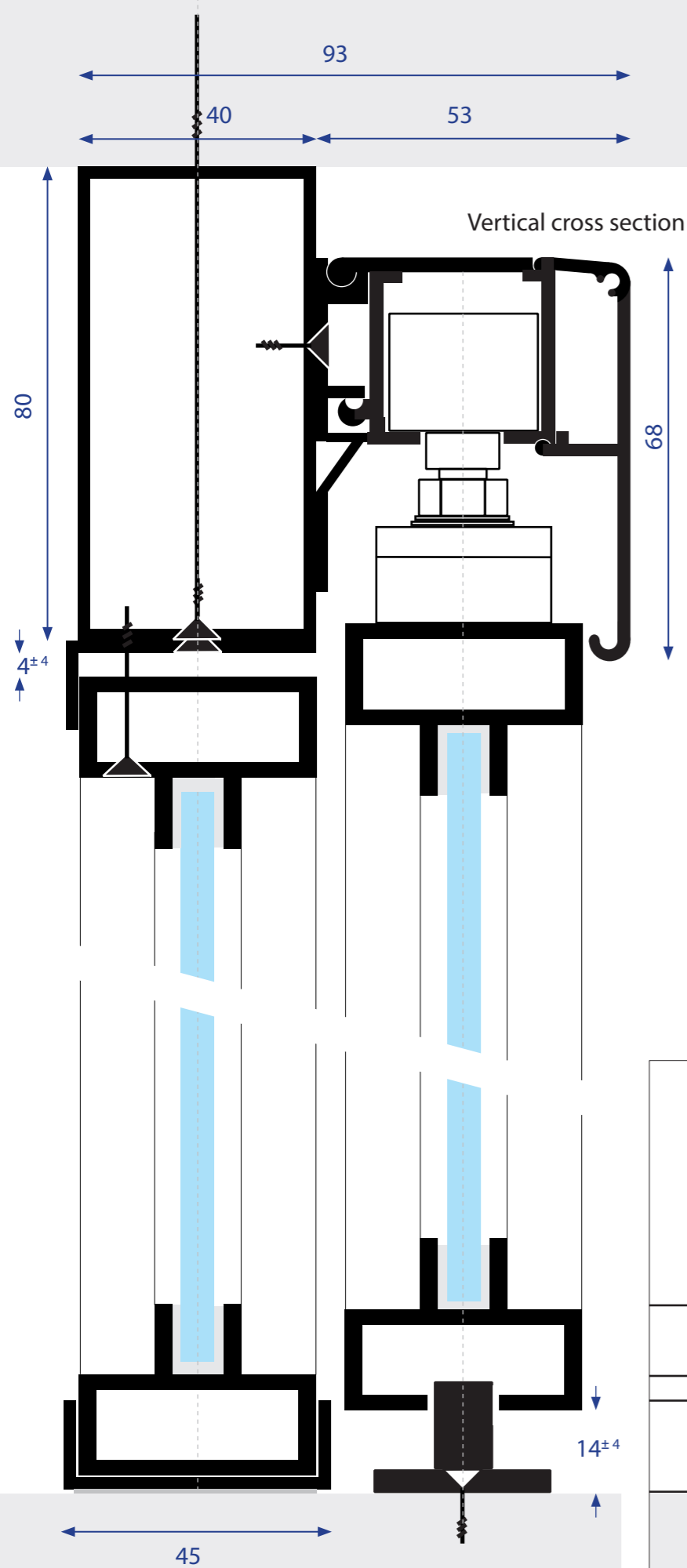
* Always check the distance of the door edge and the rotation point! Door width > 1200 = shifted rotation point.

If the wall is skewed, the gap may increase with the number of mms that the wall is skewed.

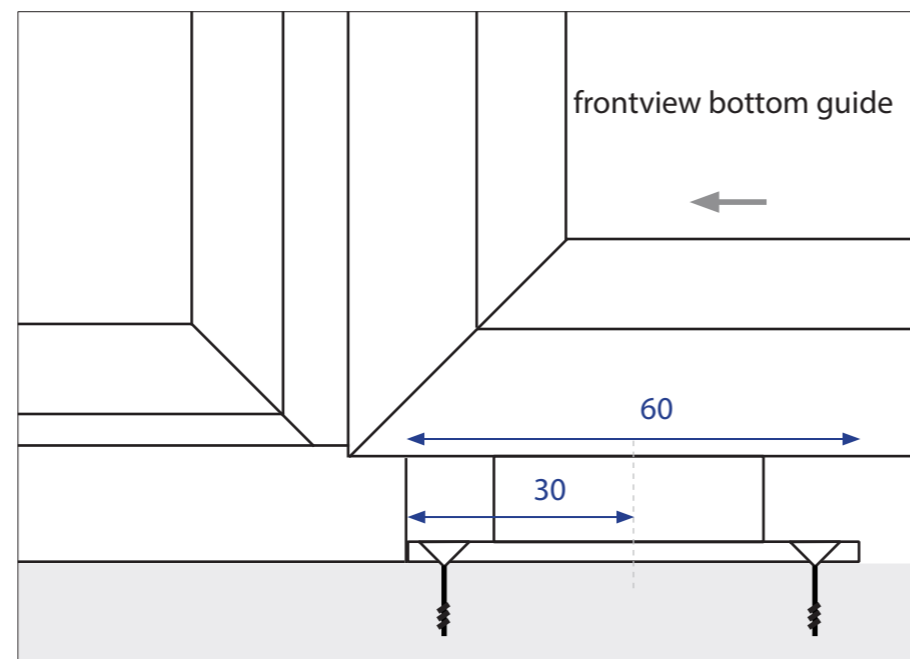
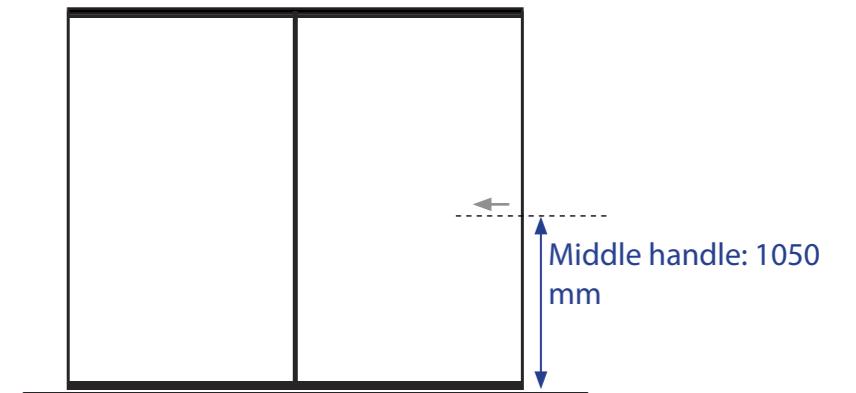
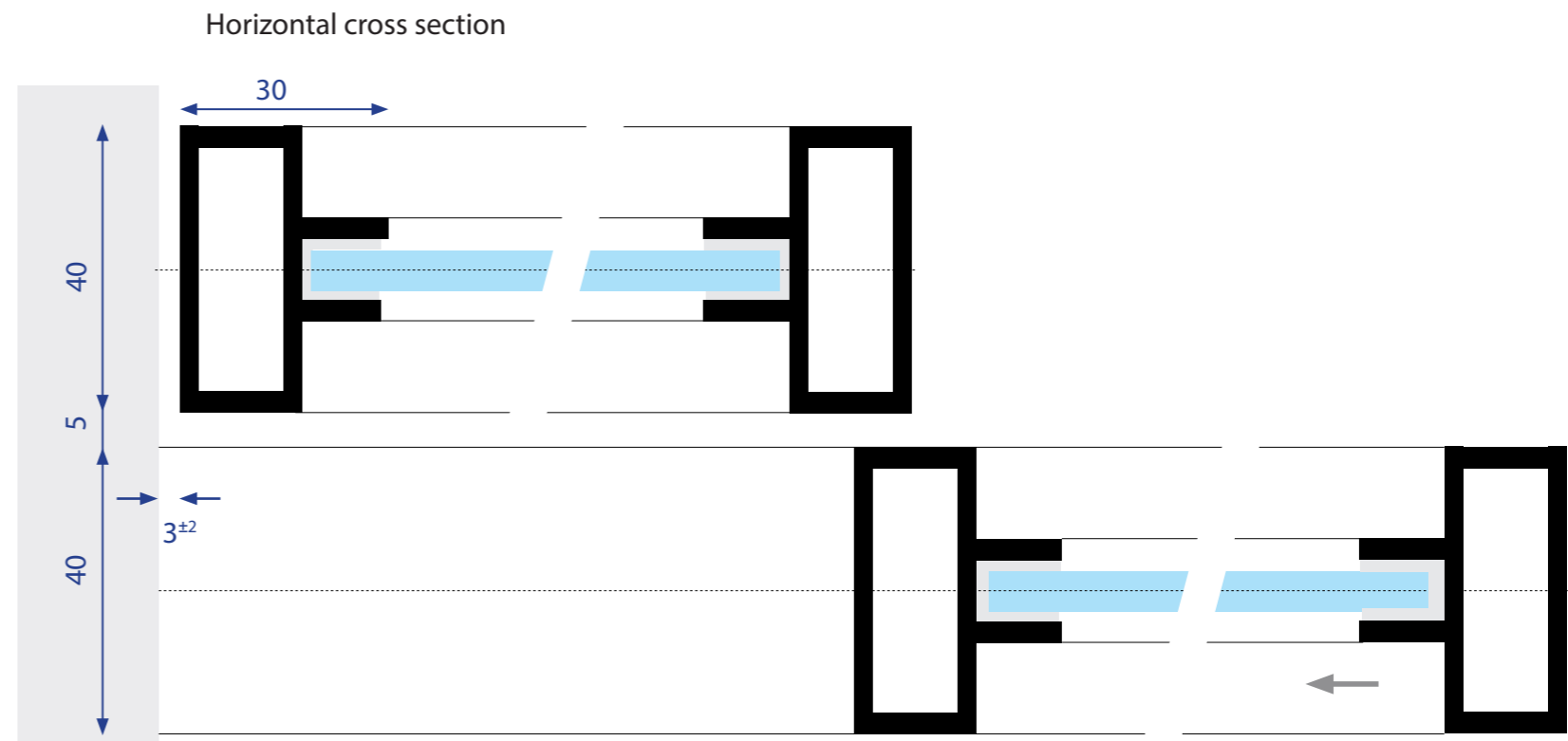
Always read the installation manual: available on simple request

11.2019 EMEZZI, dthe illustrated diagrams are offered as an aid, subject to changes,

Slider with fixed side panel



www.insensation.com



inc@insensation.com

If the wall is skewed, the gap may increase with the number of mms that the wall is skewed.

Always read the installation manual: available on simple request

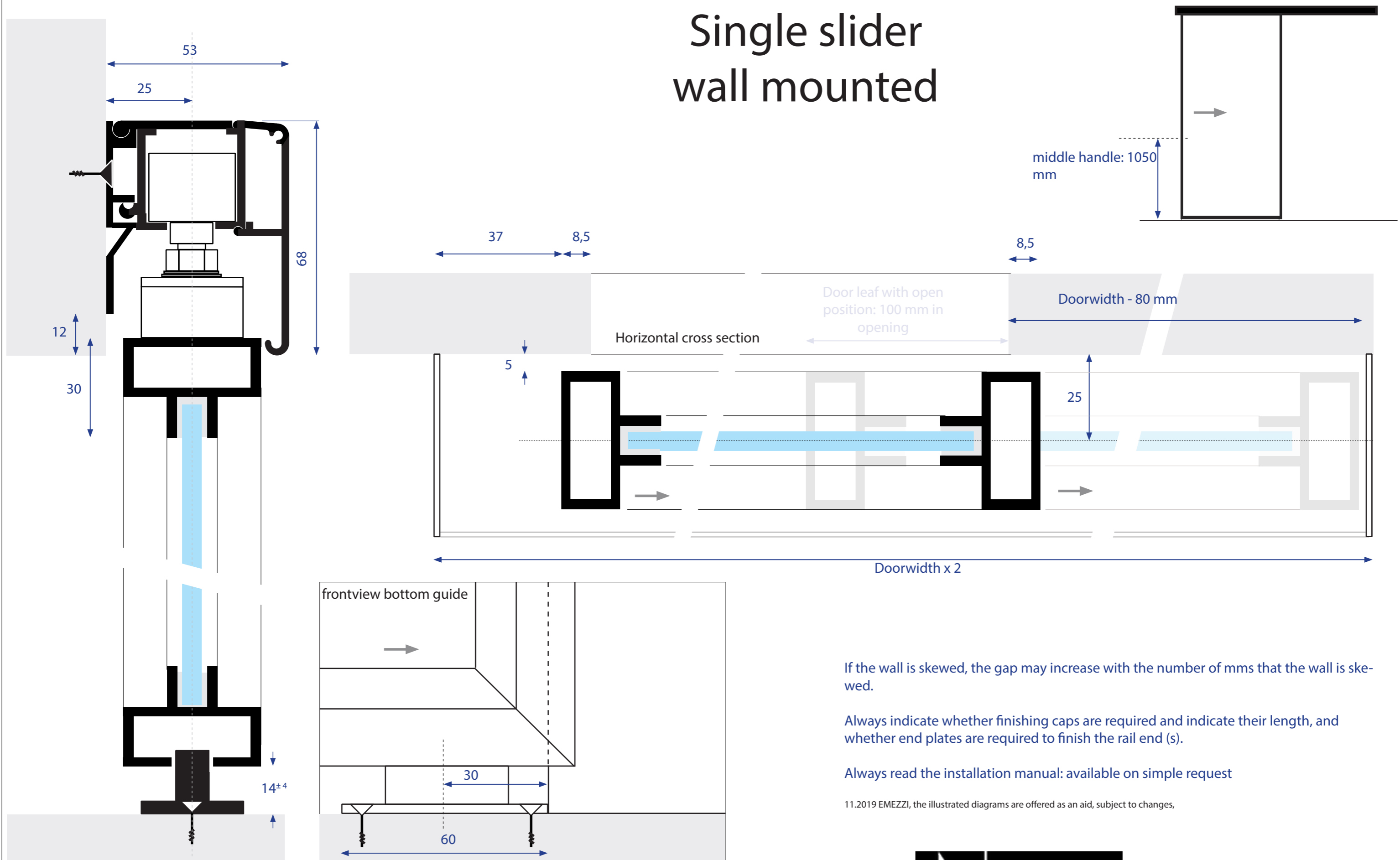
Always indicate whether finishing caps are required and indicate their length, and whether end plates are required to finish the rail end (s).

Apply jointing tape and sealant to the assembly finish if necessary

11.2019 EMEZZI, the illustrated diagrams are offered as an aid, subject to changes,



Single slider wall mounted



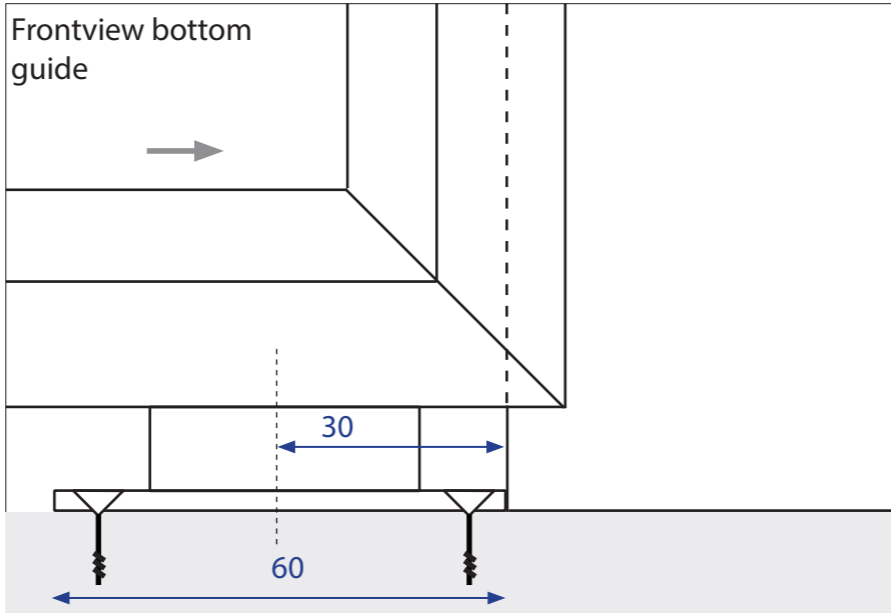
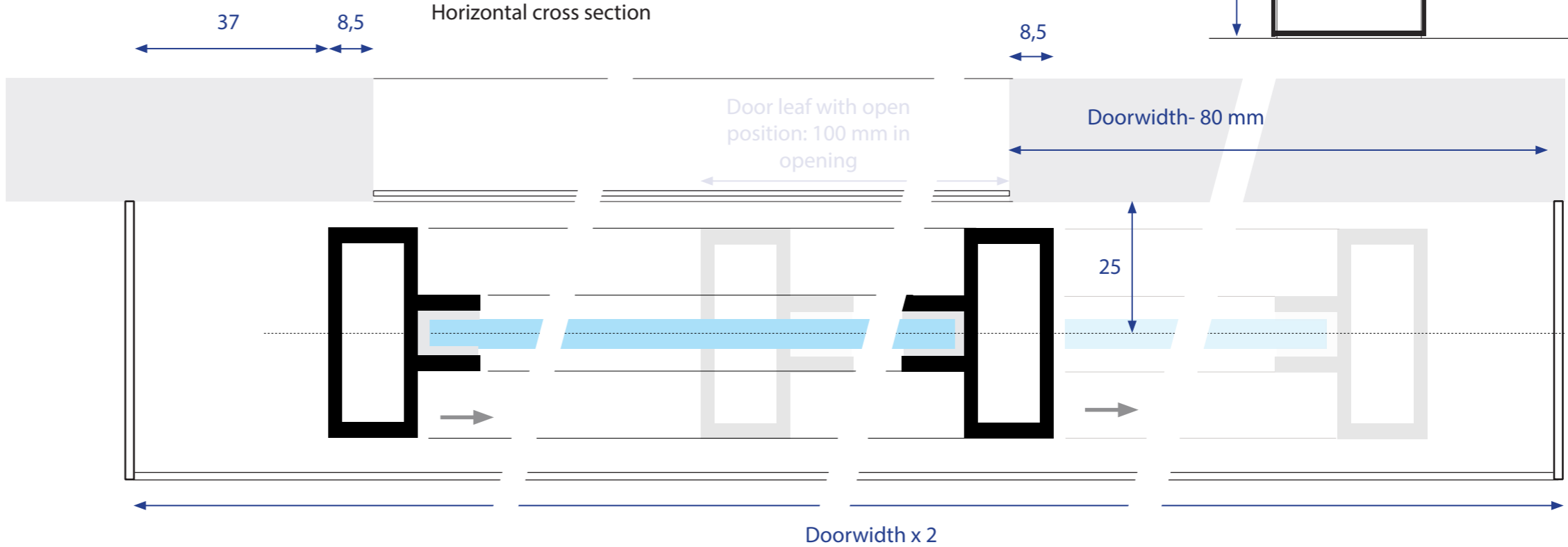
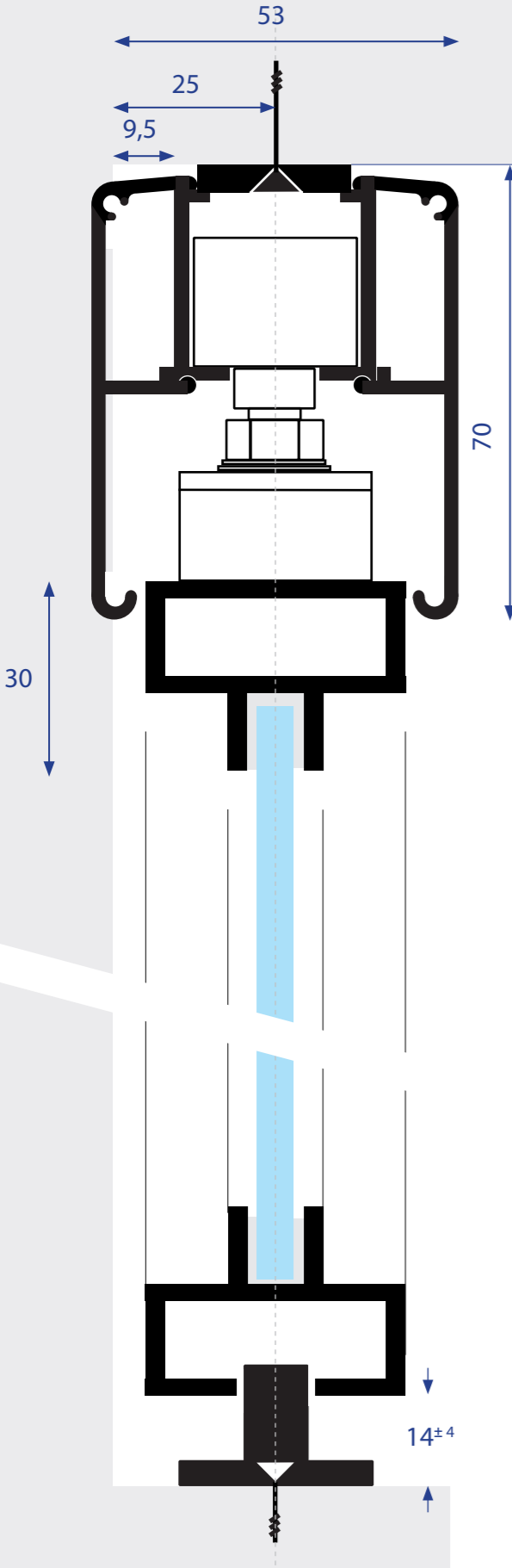
If the wall is skewed, the gap may increase with the number of mms that the wall is skewed.

Always indicate whether finishing caps are required and indicate their length, and whether end plates are required to finish the rail end (s).

Always read the installation manual: available on simple request

11.2019 EMEZZI, the illustrated diagrams are offered as an aid, subject to changes,

Singel slider ceiling mounted



If the wall is skewed, the gap may increase with the number of mms that the wall is skewed.

Always indicate whether finishing caps are required and indicate their length, and whether end plates are required to finish the rail end (s).

Always read the installation manual: available on simple request

11.2019 EMEZZI, the illustrated diagrams are offered as an aid, subject to changes,